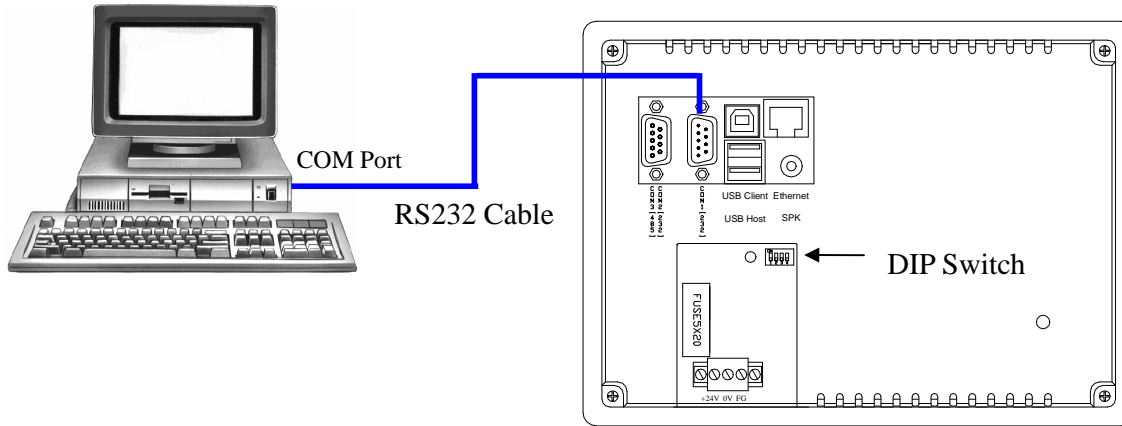
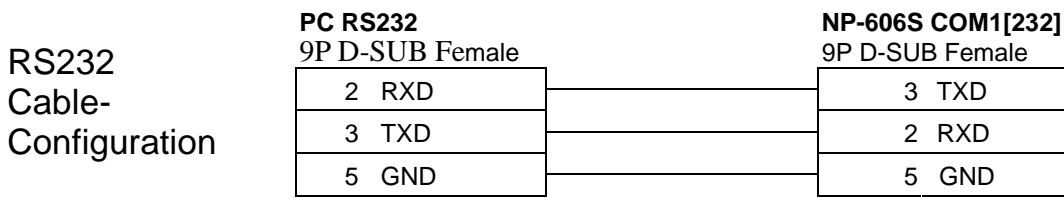


# NP-606S CF card download CE Image




## Download Windows CE image.



## RS232 Cable just for Hyper Terminal to monitor the progress.



## Download CE Image from CF card.

1.	Extract the zip File Rename the image file to <b>nk.bin</b> . Copy the <b>nk.bin</b> to root directory of CF memory card P.S Recommend use SanDisk or PQI CF card.	
2.	Power off then Connected the RS232 cable between the PC's COM port & MT606S/CV1 (COM1[232]). Insert the CF card.	
3.	Open the MT600.ht or open the Windows Hyper Terminal and set the com port setting to 38400, None, 8, 1, None flow control.	 MT600.HT
4.	Set the DIP SW2 ON then power ON into boot loader mode.	
5.	The Hyper Terminal will display message. NP-606S download the CE Image from CF card.	

```
*****  
*****  
OEMInitDebugSerial using UART1  
  
Microsoft Windows CE Ethernet Bootloader built Nov 26 2003 10:55:08  
Copyright (c) 2001 Microsoft Corporation  
Portions copyright (c) 2001 Intel Corporation  
Detect flash device complete  
current time from RTC3285: Year: 2003, Month: 1, Day: 1, Hour: 23, Minute: 59, s  
econd: 0  
Press [ENTER] to download now or [SPACE] to cancel.  
  
Initiating image download in 4 seconds.  
Performing card initialization.  
Determining card type  
Attribute Memory  
Card Type is Ox4  
ATDISK:ATAIssueIdentify entered  
ATDISK: Identify Data ...
```

6. After Image download, NP-606S will automatic reboot and into Windows CE.

```
.....  
Comparing Flash vs RAM image ...  
Flash programmed successfullly!  
Found pTOC signature.  
Found pTOC signature.  
ROMHDR at Address 991EA190h  
RomHdr.uIRAMStart=800B8000h RomHdr.physfirst=98380000h.  
Verify checksums...  
Checksums verified correct.  
Storing driver globals to flash ...  
  
Erasing Flash B8340000 to B837FFFF: Please wait ...  
Performing erase verification ...  
  
Flash erasing complete.  
Download successful! Jumping to image at 98381000h...
```

After successful download, set power OFF and reset DIP SW2 to OFF.