

IVC-19PC-P

19" Color LCD Touch Screen Panel PC

User Manual



Introduction	8
1.1 IVC-19PC-P Flat Panel PC Overview	9
1.1.1 IVC-19PC-P Flat Panel PC Applications	9
1.1.2 IVC-19PC-P Flat Panel PC Features	9
1.2 IVC-19PC-P External Overview	9
1.2.1 General Description	9
1.2.2 Front Panel	10
1.2.3 Rear Panel.....	10
1.2.4 Top Panel	11
1.2.5 IVC-19PC-P Bottom Panel.....	11
1.2.6 Left Panel	12
1.2.7 Right Panel	12
1.2.8 Frame	13
1.3 IVC-19PC-P Internal Overview	13
1.4 IVC-19PC-P Specifications.....	13
1.4.1 Preinstalled Hardware Components	13
1.4.2 System Specifications	14
1.4.3 IVC-19PC-P Motherboard Specifications.....	15
1.4.4 Flat Panel Screen	16
1.4.5 Power Supply	17
1.5 Dimensions	19
POS-8520 Motherboard	20
2.1 Introduction.....	21
2.2 CPU Support	21
2.3 On-board Chipsets	21
2.3.1 Northbridge and Southbridge Chipsets	21
2.3.2 852GME Northbridge Chipset.....	21
2.3.3 ICH5 Southbridge Chipset.....	22
2.4 Graphics Support	23
2.5 Peripheral Device Interfaces, Connectors, and Slots.....	24
2.5.1 OEM Options	24
2.5.2 Internal Slots.....	25
2.5.3 Internal Peripheral Device Connectors	25
2.5.4 External Peripheral Device Connectors	26
Installation and Configuration	27
1.1 Installation Precautions	28
1.2 Preinstalled Components.....	28
1.3 Installation and Configuration Steps	29
1.4 Unpacking	29
3.4.1 Packing List.....	29
1.5 Jumper Settings	30
3.5.1 Remove the Back Cover	31
3.5.2 CF Card Setup (JP12).....	32
3.5.3 Clear CMOS Setup (JP1).....	33
3.5.4 COM2 Port RS232/422/485 Selection (JP10, JP20).....	33
3.5.6 CPU Voltage Setting (S3)	35

3.5.7 Keyboard and Mouse Power Source Setting (JP18)	35
3.5.8 LCD Voltage Setup (JP2).....	35
3.6 HDD, FDD and CD Drive Installation	36
3.6.1 HDD Installation.....	36
3.6.2 FDD Installation	37
3.6.3 CD Drive Installation	38
3.5 Mounting the System	42
3.7.1 Wall Mounting	42
3.7.2 Panel Mounting.....	44
3.7.3 Arm Mounting	45
3.7.4 Cabinet and Rack Installation	46
3.8 Rear Panel Connectors	47
3.8.1 LCD Panel Connection.....	47
3.8.2 Ethernet Connection	47
3.8.3 USB Connection.....	47
3.8.4 Keyboard and Mouse Connection	48
3.8.5 Parallel Port Connection.....	48
System Maintenance	49
4.1 System Maintenance Introduction	50
4.2 Motherboard Replacement	50
4.3 Back Cover Removal and Elevated Platform Detachment	50
4.3.1 Back Cover Removal.....	50
4.3.2 Detaching the Elevated Platform.....	51
4.4 DIMM Replacement	53
4.5 PSU Module Replacement	53
5.1 Introduction.....	57
5.1.1 Starting Setup	57
5.1.2 Using Setup	57
5.1.3 Getting Help.....	57
5.1.4 Unable to Reboot After Configuration Changes	57
5.1.5 BIOS Menu Bar	58
5.2 Main	58
5.3 Advanced.....	59
5.3.1 CPU Configuration	60
5.3.2 IDE Configuration.....	62
5.3.4 Super IO Configuration.....	70
5.3.6 ACPI Configuration	76
5.3.7 MPS Configuration	80
5.3.8 Remote Access Configuration	81
5.3.9 USB Configuration	82
5.4 PCI/PnP.....	84
5.5 Boot	88
5.5.1 Boot Settings Configuration	89
5.5.2 Boot Device Priority	90
5.5.3 Removable Drives	92
5.6 Security	93

5.7 Chipset	94
5.7.1 NorthBridge Configuration	95
5.7.2 SouthBridge Configuration	98
5.8 Power	99
5.9 Exit	103
Interface Connectors	105
A.1 Floppy Disk Drive Connector	106
A.2 PCI E-IDE Disk Drive Connector	107
A.3 Parallel Port	108
A.4 Serial Ports	108
A.5 Keyboard / Mouse Connector	111
A.6 External Switches and Indicators	112
A.7 USB Port Connector	113
A.8 IrDA Infrared Interface Port	113
A.9 VGA Connector	114
A.10 LAN RJ45 Connector	115
A.11 Fan Connector	115
A.12 Inverter (LCD Backlight) Connector	116
A.13 LCD Panel LVDS Interface Connector	116
A.14 Audio Connectors	117
A.15 Digital Input / Output	117
A.16 Compact Flash TYPE II Storage Card Socket	118
A.17 ATX Power Connector	119
A.18 ATX 12V Power Connector	119
A.19 Internal Switches and Indicators	120
A.20 Serial ATA Connector	120

List of Figures

Figure 1-1: IVC-19PC-P Front View.....	10
Figure 1-2: IVC-19PC-P Rear View.....	10
Figure 1-3: IVC-19PC-P Top View.....	11
Figure 1-5: Right View.....	12
Figure 1-6: Left View.....	12
Figure 1-7: Frame Rear View (12 panel mount retention screw holes).....	13
Figure 1-8: Dimensions (units in mm).....	19
Figure 3-1: Back Cover Retention Screws.....	32
Figure 3-10: CD Drive Installed.....	41
Figure 3-11: Wall-mounting Bracket.....	42
Figure 3-12: Chassis Support Screws.....	43
Figure 3-13: Mount the Chassis.....	43
Figure 3-14: Cut the Panel.....	44
Figure 3-15: Panel Mounting Clamp Positions.....	45
Figure 3-16: Tighten the Panel Mounting Clamp Screws.....	45
Figure 3-17: Rack Mounting.....	47
Figure 3-18: Arm Mount Retention Screw Holes.....	46
Figure 3-2: HDD Retention Screws.....	37
Figure 3-3: FDD Retention Screws.....	38
Figure 3-4: FDD Adapter and FDD Bracket Installation.....	38
Figure 3-5: CD Drive Adapter Installation.....	39
Figure 3-6: CD Drive Retention Screws.....	39
Figure 3-7: Remove CD Drive.....	40
Figure 3-8: CD Drive Blank Plate Assembly.....	40
Figure 3-9: CD Drive Blank Plate Assembly.....	41
Figure 4-1: Rear Cover Retention Screws (Real Panel).....	51
Figure 4-10: PSU External Retention Screws.....	54
Figure 4-2: Internal Elevated Platform Retention Screws.....	52
Figure 4-4: Elevated Platform Retention Screws (Right Panel).....	52
Figure 4-5: Elevated Platform Retention Screws (Bottom Panel).....	52
Figure 4-6: PCI Riser Card Retention Screws.....	52
Figure 4-7: DIMM Socket Clip Locations.....	53
Figure 4-8: PSU Motherboard Connector.....	54
Figure 4-9: PSU Internal Retention Screws.....	54

Copyright

This document is copyrighted April, 2008, by IVC Displays, Inc. All rights are reserved. IVC Displays, Inc. reserved the right to make improvements to the products described in this manual at any time. Specifications are thus subject to change without notice.

No part of this manual may be reproduced, copied, translated, or transmitted in any form or by any means without the prior written permission of IVC Displays, Inc. Information provided in this manual is intended to be accurate and reliable. However, IVC Displays, Inc. assumes no responsibility for its use, nor for any infringements upon the rights of third parties which may result from its use.

Trademarks

All Registered trademarks are the property of the registered trademark holder. All product names mentioned are used for identification purposes only and may be trademarks and/or registered of their respective owners.

Safety Instructions

Overview

This section states the safety instructions, which must be followed when installing, operating and servicing the IVC-19PC-P. If neglected, physical injury and death may follow, or damage may occur to controller and related equipment. The material in this chapter must be studied before attempting any work on, or with, the unit.

Warnings and Notes

This manual distinguishes safety instructions. Warnings are used to inform of conditions, which can, if proper steps are not taken, lead to a serious fault condition, physical injury or death. Notes are used when the reader is required to pay special attention or when there is additional information available on the subject. Notes are less crucial than warnings, but should not be disregarded.

Warnings Readers are informed of situations that can result in serious physical injury and/or serious damage to equipment with the symbol shown to the left. A Warning symbol indicates that the reader should pay special attention to the accompanying text. Precautionary steps should be taken to insure that the installation is in compliance with warnings. Warnings include hazardous conditions that could cause personal injury or equipment damage if care is not taken. The text next to this symbol describes ways to avoid the danger.



- Warnings**
- Dangerous Voltage Warnings:** Warns of situations in which high voltage can cause physical injury and or damage equipment.
 - General warning:** Warns of situations, which can cause physical injury and or damage equipment by means other than electrical.
 - Electrostatic Discharge Warning:** Warns of situations in which an electrostatic discharge can damage equipment.

Readers are notified of the need for special attention or additional information available

on the subject with the following symbols:

CAUTION! Aims to draw special attention to it.

Note: **Note:** gives additional information or points out more information available on the subject.

Introduction

1.1 IVC-19PC-P Flat Panel PC Overview

The IVC-19PC-P flat panel PC is a flexible, multi-functional flat panel PC that can be applied in diverse operational environments and implemented in multi-faceted applications. The IVC-19PC-P comes fully kitted with a high-performance motherboard, CPU, power supply unit and a host of other peripheral interface connectors. The IVC-19PC-P is designed for ease of use and easy installation.

1.1.1 IVC-19PC-P Flat Panel PC Applications

The IVC-19PC-P flat panel PC is designed for rigorous industrial environments where it may be exposed to both heat and moisture. Its durability and strength also makes it an ideal choice for public access computers. Some possible applications include:

- Automated manufacturing processes
- Public information gathering point

1.1.2 IVC-19PC-P Flat Panel PC Features

Some of the features of the IVC-19PC-P flat panel PC include:

- Main stream panel PC designing with dual display function
- Aluminum die-casting front panel meet IP65 water proof standard
- High performance Intel Pentium 4 / Celeron CPU support
- Dual DDR memory DIMM support up to 2GB SDRAM
- Serial ATA-150 connections
- Easy installing mechanism design
- High brightness 19" industrial grade panel
- Fully I/O function support:
 - 6 x COM (1 for Touch Screen)
 - 6 x USB 2.0 ports
 - 1 x PCI slot
 - 1 x CF socket
- Dual 10/100/Gigabit Ethernet supported
- RoHS compliance

1.2 IVC-19PC-P External Overview

1.2.1 General Description

The IVC-19PC-P Flat panel PC is a rectangular cubic structure that comprises of a screen, rear panel, top panel, bottom panel and two side panels (left and right). An aluminum frame surrounds the front screen. The rear panel provides screw holes for a wall-mounting bracket, and an arm mounting interface. The right panel provides access to a slim type CD drive bay and a floppy disk drive bay. The bottom panel provides access to external interface connectors that include GbE, USB 2.0, audio, parallel port, serial port connectors and CF card slot.

1.2.2 Front Panel

The front side of the IVC-19PC-P is a flat panel 19" TFT LCD screen surrounded by an aluminum frame.

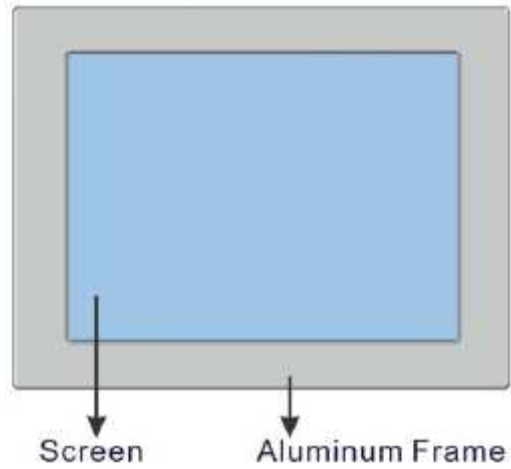


Figure 1-1: IVC-19PC-P Front View

1.2.3 Rear Panel

The rear panel provides access to fan ventilation vents and four retention screw holes that support a wall-mounting bracket. The retention screw holes are circled in **Figure 1-2**.

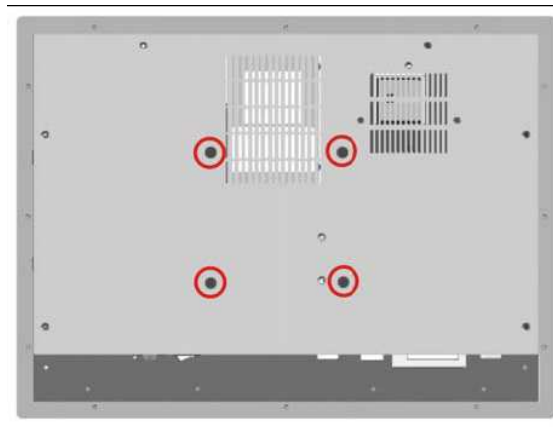


Figure 1-2: IVC-19PC-P Rear View

1.2.4 Top Panel

The top panel provides access to two retention screw holes that support to secure the elevated platform to the chassis. The retention screw holes are circled in **Figure 1-3** below.

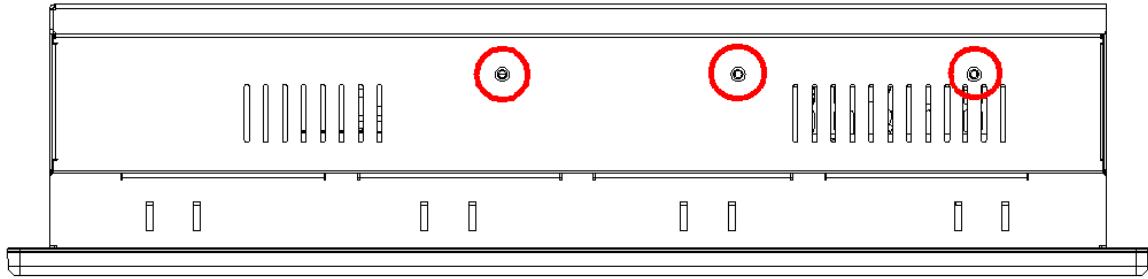


Figure 1-3: IVC-19PC-P Top View

1.2.5 IVC-19PC-P Bottom Panel

The bottom panel shown in **Figure 1-4** has the following interfaces:

- 1 x Power input connector
- 1 x Power switch
- 6 x USB connectors
- 1 x Reset button
- 2 x RJ-45 GbE connectors
- 2 x PS/2 keyboard/mouse connector
- 5 x Serial port (COM) connectors
- 1 x PCI add-on card slot
- 1 x Parallel port connector
- 3 x Audio jacks
- 1 x VGA connector
- 1 x Compact Flash slot

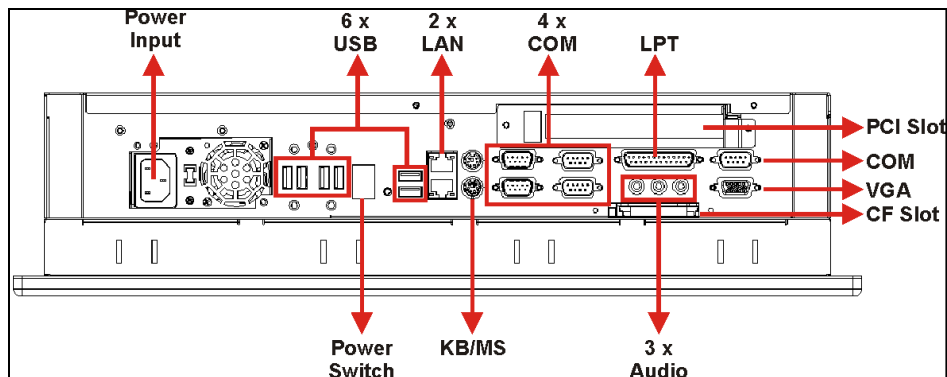


Figure 1-4: Bottom View

1.2.6 Left Panel

The left side panel provides access to two fan ventilation vents. (See **Figure 1-5**)

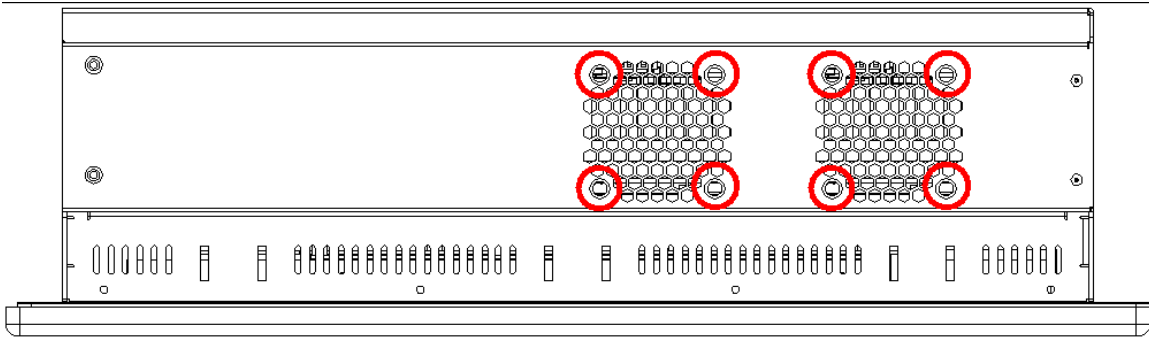


Figure 1-5: Left View

1.2.7 Right Panel

The right side panel provides access to a slim type CD drive bay and a FDD drive bay. (See **Figure 1-6**)

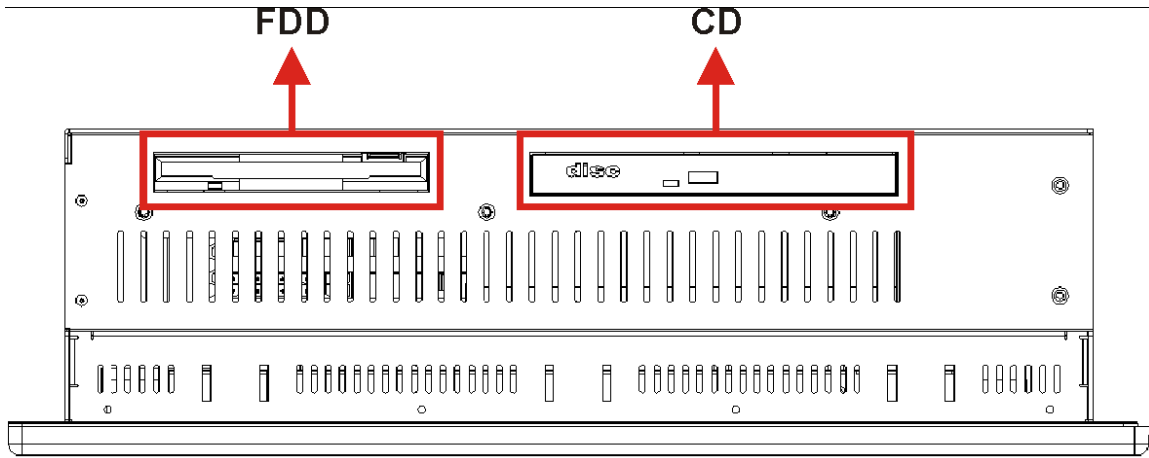


Figure 1-6: Right View

1.2.8 Frame

An aluminum frame surrounds the 19" TFT LCD screen. This aluminum frame has 12 small screw holes that are used when the flat panel PC is mounted into a rack-mounting bracket. These screws are circled in **Figure 1-7**.

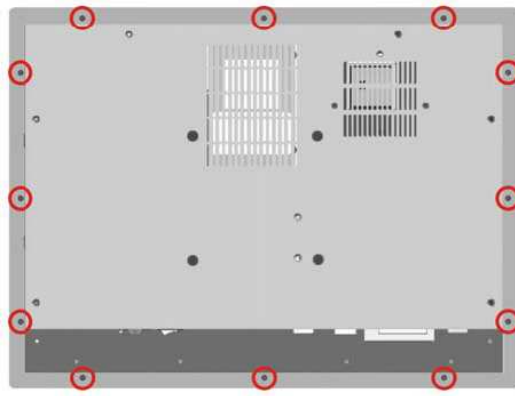


Figure 1-7: Frame Rear View (12 panel mount retention screw holes)

1.3 IVC-19PC-P Internal Overview

The IVC-19PC-P internal components are configured in a three level format. An elevated platform on the right side of the chassis supports a HDD, a CD drive and a FDD. On the second level, below the elevated platform, are a motherboard and a PSU module. The motherboard and the PSU module are installed on a metal sheet that protects the rear of the 19" TFT LCD screen. Below the metal sheet is a circuit board that is connected to the screen and the motherboard.

1.4 IVC-19PC-P Specifications

1.4.1 Preinstalled Hardware Components

The IVC-19PC-P Flat panel PC has the following preinstalled components:

- 1 x Motherboard
- 1 x 19" TFT LCD screen
- 1 x Power supply
- 2 x Cooling fans
-

The technical specifications for these components and the system are shown in the sections below.

1.4.2 System Specifications

The technical specifications for the IVC-19PC-P system are listed in **Table 1-2**.

SPECIFICATION	DETAIL
Front Panel	Aluminum Front Panel meets IP65 standard
Chassis	Heavy-duty Steel
LCD Panel	19" High luminance TFT LCD
Resolution	1280 x 1024 (XGA)
Brightness	300 cd/m ²
Contrast Ratio	700:1
LCD MTBF	50,000 hrs
Backlight MTBF	30,000 hrs
Viewing Angle (H-V)	140/130
Touch Screen	Optional 5-wire resistive type touch screen with RS-232 interface
Display	Support Dual Display
Add-On Card (Optional)	Support PCI and CFII
Drive Bay	One 2.5" HDD bay with anti-shock One slim type CD drive bay One slim type FDD bay
Power	Input voltage: 90-265V AC, 50~60 Hz
Output Rating:	180W
Output voltage:	+ 3.3V@16.8A, + 5V@12A, +12V@10A, -12V@0.8A, +5VSB@2A
Mounting Feature	Panel, Arm, Wall, or Rack/Cabinet
Color	Silver (PANTONE PMS-8001)
Operating Temperature	0~50 °C
Relative Humidity	5 ~ 85%, non-condensing

Vibration	5 - 17Hz, 0.1" double amplitude displacement. 17 - 640Hz, 1.5G acceleration, peak to peak.
Shock	10G Acceleration, peak to peak (11ms)
Dimensions	482.6(W) x 399.3(H) x 115.2(D) mm
Net/Gross Weight	12.6/18.2 Kg
Environment	RoHS Compliant

Table 1-2: IVC-19PC-P Specifications

1.4.3 IVC-19PC-P Motherboard Specifications

The IVC-19PC-P comes with a POS-8520 motherboard. The technical specifications of the motherboard are listed in **Table 1-3**.

SPECIFICATION	DETAIL
CPU	Socket-478 base Intel Pentium 4 / Celeron D
Northbridge	852GME
Southbridge	ICH5
Max. FSB	533 MHz
Memory	2 x DDR 266/333 DIMM socket up to 2GB
BIOS	AMI BIOS Label
Display	CRT integrated in Intel 852GME LVDS Dual 18-bit TTL LCD integrated in Intel 852GM
Expansion Interface	1 x PCI slot 1 x CFII
Audio	AC' 97 Codec
Ethernet	2 x Realtek RTL8110S GbE controller
COM	1 x RS-232/422/485 port 5 x RS-232 ports (1 for optional touch screen)

USB 2.0	6 x USB 2.0 ports
Drive Interfaces	2 x SATA drive connectors
LPT	2 x ATA 100 channels
KB/ MS	2 x PS/2 connector
IrDA	1 x IrDA interface

Table 1-3: Motherboard Specifications

1.4.4 Flat Panel Screen

The IVC-19PC-P comes with a 19" TFT LCD monitor at the front of the flat panel PC (see **Figure 1-1**). The specifications for the LCD monitor are shown in **Table 1-4** below.

SPECIFICATION	DETAILS
Model	AUO-G150XG01
Size	19"
Resolution	SXGA (1280 x 1024)
Active Area (mm)	376.32 x 301.06
Pixel Pitch (mm)	0.294
Mode	TN
Number of Colors	16.2M
Color Saturation (%)	72
View Angel (H/V)	160/160
Brightness (cd/m2)	300
Contrast Ratio	700:1
Response Time (ms) (at 25°C)	6
Power Consumption (W)	28
Interface	2ch LVDS
Supply Voltage (V)	5
Backlight	4 CCFL

Outline Dimensions (mm)	396.0 x 324.0 x 17.5
Weight (g)	2500

Table 1-4: 19" TFT LCD Monitor Specifications

1.4.5 Power Supply

The IVC-19PC-P Flat panel PC comes with a 200W DC 1U RoHS compliant ATX power supply. The PSU has an MTBF greater than 100,000 hours. The maximum power output for the PSU is shown below.



WARNING:

Under no circumstances is the PSU case to be opened. The PSU module is not user serviceable and there are dangerous high-voltages inside the case. If there are any problems with the PSU module, please contact the dealer or reseller immediately.

The specifications for the PSU module are shown in (Table 1-5).

INPUT	Voltage	AC90V ~ 265VAC Full Range				
	Frequency	47 ~ 63Hz				
	Input Current	4A(RMS)@115VAC				
		2A(RMS)@230VAC				
	Inrush Current	50A Max for 115VAC				
80A Max for 230VAC						
OUTPUT	Voltage (V)	+3.3V	+5V	+12V	-12V	5VSB
	Min. Load (A)	0.3A	0.3A	1.5A	0A	0A
	Max. Load (A)	16.8A	12A	10A	0.8A	2A
	Ripple and Noise (mV)	50mV	50mV	120mV	120mV	50mV
	+3.3V & +5V ≤ 61W					

	+3.3V & +5V & +12V ≤ 160W	
GENERAL	Watt	180W
	PFC	Active
	Hold-up time	17ms minimum
	Efficiency	68%
	MTBF	100,000hrs
	Temperature)	0~50 °C (Operating
		-20~80°C (Storage)
	Dimension	150mm (W) x 81.5mm(H) x 40.5mm (D)

Table 1-5: Power Supply Specifications

1.5 Dimensions

The dimensions of the IVC-19PC-P Flat panel PC are shown in **Figure 1-8** below.

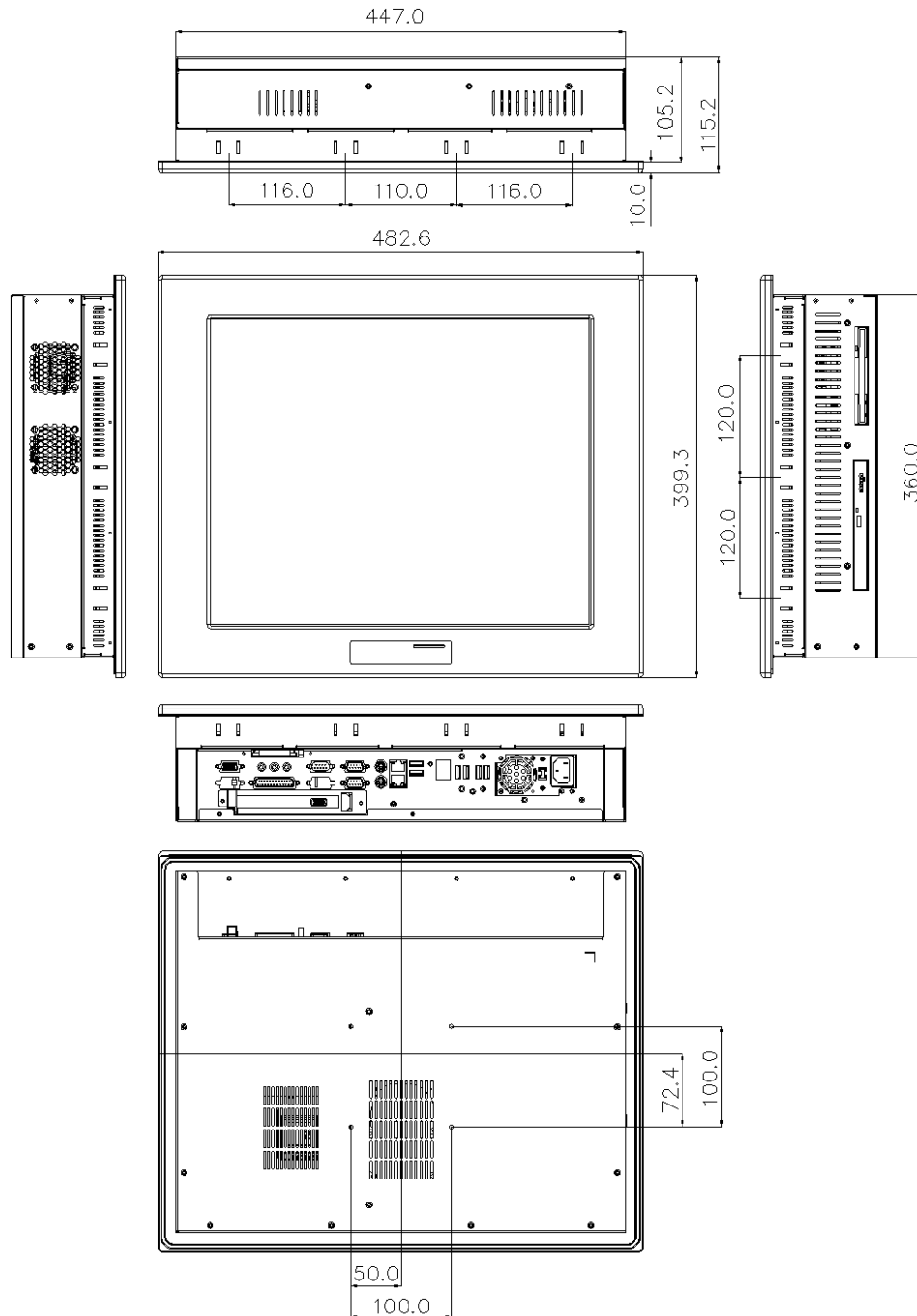


Figure 1-8: Dimensions (units in mm)

POS-8520 Motherboard

2.1 Introduction

The IVC-19PC-P Flat screen PC contains a POS-8520 motherboard. The motherboard is the heart of any computer and is responsible for transmitting, receiving and processing data as well as driving the different on-board devices. This chapter gives a brief introduction to the POS-8520 motherboard. For more complete details on the connectors and the different implementations of the POS-8520, please refer to the POS-8520 user guide.

2.2 CPU Support

The POS-8520 installed in the IVC-19PC-P supports socket 478, Intel Pentium 4 / Celeron D FSB 533 MHz CPU.

2.3 On-board Chipsets

2.3.1 Northbridge and Southbridge Chipsets

The following chipsets are preinstalled on the board:

- **Northbridge:** Intel 852GM
- **Southbridge:** ICH5

The following two sections (**Section 2.3.2** and **Section 2.3.3**) list some of the features of the 852GME and the ICH5 chipsets. For more information on these two chipsets please refer to the Intel website.

2.3.2 852GME Northbridge Chipset

The 852GME northbridge chipset comes with the following features:

- Supports the Intel Pentium 4 processor and Intel Celeron processor with Intel NetBurst® microarchitecture
- 400 MHz or 533 MHz system bus delivers a high-bandwidth connection between the processor and the platform
- Integrated graphics utilizing Intel® Extreme Graphics 2 technology
- AGP 4X support
- Three USB host controllers support up to six USB 2.0 ports.
- The latest AC '97 implementation delivers 20-bit audio for enhanced sound quality and full surround sound capability.
- LAN Connect Interface (LCI) provides network solutions for 10/100 Mbps Ethernet and 10/100 Mbps Ethernet with LAN manageability
- Dual Ultra ATA/100 controllers
- Error Correcting Code (ECC) support in integrated graphics mode only
- The Intel Application Accelerator software provides additional performance over native ATA drivers by improving I/O transfer rates and enabling faster O/S load time, resulting in accelerated boot times
- Display

- Analog display support
- Dual independent pipe support
- DVO (DVOB and DVOC) support
- Dedicated Local Flat Panel (LFP) LVDS interface
- Intel® Embedded Graphics Drivers
 - Graphics interface support
 - Multi-monitor support
 - Dynamic display-mode support
 - Embedded video BIOS

2.3.3 ICH5 Southbridge Chipset

The ICH5 southbridge chipset comes with the following features:

- PCI Bus Interface
 - New: Supports PCI Revision 2.3 Specification at 33 MHz
 - 6 available PCI REQ/GNT pairs
 - One PCI REQ/GNT pair can be given higher arbitration priority (intended for external 1394 host controller)
 - Support for 44-bit addressing on PCI using DAC protocol
- Integrated LAN Controller
 - Integrated ASF Management Controller
 - WfM 2.0 and IEEE 802.3 Compliant
 - LAN Connect Interface (LCI)
 - 10/100 Mbit/sec Ethernet Support
- Integrated Serial ATA Host Controllers
 - Independent DMA operation on two ports.
 - Data transfer rates up to 1.5 Gb/s (150 MB/s).
 - RAID Level 0 Support (ICH5R Only)
- Integrated IDE Controller
 - Supports “Native Mode” Register and Interrupts
 - Independent timing of up to 4 drives
 - Ultra ATA/100/66/33, BMIDE and PIO modes
 - Tri-state modes to enable swap bay
- Interrupt Controller
 - Supports up to 8 PCI interrupt pins
 - Supports PCI 2.3 Message Signaled Interrupts
 - Two cascaded 82C59 with 15 interrupts
 - Integrated I/O APIC capability with 24 interrupts

- Supports Front Side Bus interrupt delivery
- High-Precision Event Timers
- 1.5 V operation with 3.3 V I/O
 - 5V tolerant buffers on IDE, PCI, USB Overcurrent and Legacy signals
- Integrated 1.5 V Voltage Regulator (INTVR) for the Suspend wells
- Enhanced DMA Controller
 - Two cascaded 8237 DMA controllers
 - PCI DMA: Supports PC/PCI — Includes two PC/PCI REQ#/GNT# pairs
 - Supports LPC DMA
 - Supports DMA Collection Buffer to provide Type-F DMA performance for all DMA channels
- Real-Time Clock
 - 256-byte battery-backed CMOS RAM
 - Integrated oscillator components
 - Lower Power DC/DC Converter implementation

2.4 Graphics Support

The Intel® Extreme Graphics 2 is integrated on the Intel® 852GME Northbridge chipset. The Intel® Extreme Graphics 2 features are listed below.

- **Enhanced Rapid Pixel and Texel Rendering:** Optimized visual quality and performance from the addition of hardware to support of texel formatting, bicubic filter, color blending accuracy, and video mixing render, resulting in optimized visual quality and performance.
 - **Zone Rendering 2 Technology:** Enhances the performance of zone rendering by using larger zones and new commands that improve graphics pipeline efficiency.
 - **Dynamic Video Memory Technology v2.0:** Increases total system performance by optimizing the efficiency of AGP dynamic video memory by increasing its size of Video RAM allocation to 96 MB.
 - **Enhanced Intelligent Memory Management:** Improves memory bandwidth efficiency and platform performance by improving the memory management arbitration between CPU, system memory and graphics memory.

Intel® Extreme Graphics 2 specifications are listed below:

- Enhanced 2D:
 - 256-bit internal path
 - 8/16/32bpp
 - DirectDraw*, GDI, GDI+
 - Anti-aliased text support
 - Alpha blending

- Alphas stretch blitter
- Hardware alpha blended RGB cursor
- Color space conversion
- 5x2 overlay support
- Rotate, scale and translate operations
- High-performance 3D:
 - 256-bit internal path
 - 32bpp/ 24ZorW/ 8 Stencil
 - DX7*/DX8*/OGL*1.1
 - DXTn texture compression
 - Up to 4 textures / pixel on a single pass
 - Cubic reflection map
 - Embossed/DOT3 bump mapping
 - Multi-texture
 - DOT3 bump-mapping
 - Point sprites
- Video and Display:
 - DirectShow*/DirectVA*
 - Hardware motion compensation support for DVD playback
 - 4x2 overlay filter
 - 350 MHz DAC frequency
 - Maximum DVO pixel rate of up to 330MP/s
 - Flat panel monitors and TV-out support via AGP Digital Display (ADD) cards
 - 350 MHz DAC for 1800x1440 @ 85Hz max CRT resolution or
 - 2048x1536@60Hz max FP resolution
 - Synchronous display for dual monitor capabilities
 - 350MHz RAMDAC for up to QXGA analog monitor support
 - Dual DVO ports for up to QXGA digital display support
 - Multiple display types (LVDS, DVI, TV-out, CRT)

2.5 Peripheral Device Interfaces, Connectors, and Slots

The peripheral device connectors, interfaces and slots on the POS-8520 motherboard are listed in the sections below.

2.5.1 OEM Options

Many of the peripheral device connectors listed below are not connected to any devices. These connectors are reserved for OEM customizations. For a customized option, please contact the vendor, reseller or IVC DISPLAYS sales representative.

2.5.2 Internal Slots

The slots listed below can all be found on the POS-8520 motherboard.

- 2 x DDR DIMM sockets
- 1 x CFII slot
- 1 x PCI slot

2.5.3 Internal Peripheral Device Connectors

The peripheral device connectors listed below are located on the POS-8520 motherboard. Pinouts for these connectors can be found in **Appendix A**

- 1 x ATX 12V power connector
- 1 x ATX power connector
- 2 x Audio connectors
- 1 x DIO connector
- 3 x Fan connectors
- 1 x FDD connector
- 2 x IDE device connectors
- 1 x IrDA connector
- 1 x Keyboard connector
- 1 x PS/2 mouse connector
- 1 x LCD backlight connector
- 1 x LVDS interface connector
- 1 x Multi panel connector
- 1 x Parallel port connector
- 1 x Reset connector
- 2 x Serial ATA connectors
- 6 x Serial port connectors
- 6 x USB connectors
- 1 x VGA connector

2.5.4 External Peripheral Device Connectors

The peripheral device connectors listed below are located on the rear panel of the POS-8520 motherboard. Pinouts for these connectors can be found in **Appendix A**.

- 2 x Audio jack connectors
- 1 x Keyboard connector
- 1 x Mouse connector
- 2 x RJ-45 Ethernet connectors
- 1 x Serial port connector (COM)
- 1 x VGA connector
- 6 x USB ports

Installation and Configuration

1.1 Installation Precautions

When installing the IVC-19PC-P, please follow the precautions listed below:

1. **Power turned off:** When installing the IVC-19PC-P make sure the power is off. Failing to turn off the power may cause severe injury to the body and/or damage to the system.
2. **Certified Engineers:** Only certified engineers should install and modify on-board functions.
3. **Mounting:** The IVC-19PC-P is a heavy device. When mounting the system onto a rack, panel, wall or arm please make sure that at least two people are assisting with the procedure.
4. **Anti-static Discharge:** If a user open the rear panel of t he IVC-19PC-P, to configure the jumpers or plug in added peripheral devices, ground themselves first and wear and anti-static wristband.

1.2 Preinstalled Components

The following components are all preinstalled.

Motherboard

- 19" TFT LCD
- 19" Touch screen (T-R model only)
- Power switch
- Power supply
- Inverter board
- PCI riser card
- System cooling fans

Preinstalled OEM customizations may include the following.

- CPU
- HDD
- FDD
- CD drive
- DIMM

Removal and reinstallation of some of the components are described in **Chapter 4**.

1.3 Installation and Configuration Steps

The following installation steps must be followed.

Step 1: Unpack the IVC-19PC-P.

Step 2: Set the jumper settings

Step 3: Install HDD, FDD and CD drive

Step 4: Mount the IVC-19PC-P flat panel PC.

Step 5: Connect peripheral devices to the bottom panel of the IVC-19PC-P

Step 6: Configure the system

1.4 Unpacking

To unpack the IVC-19PC-P flat panel PC, follow the steps below:



WARNING!

The front side LCD screen has a protective plastic cover stuck to the screen. Only remove the plastic cover after the IVC-19PC-P flat panel PC has been properly installed. This ensures the screen is protected during the installation process.

Step 1: Use box cutters, a knife or a sharp pair of scissors to cut the tape that seals the top side of the external (second) box.

Step 2: Open the external (second) box.

Step 3: Use box cutters, a knife or a sharp pair of scissors to cut the tape that seals the top side of the internal (first) box.

Step 4: Lift the monitor out of the boxes.

Step 5: Remove both polystyrene ends, one from each side.

Step 6: Make sure all the components listed in the packing list are present.

3.4.1 Packing List

The IVC-19PC-P flat panel PC is shipped with the following components:

- 1 x Carton
- 1 x Power cord

- 1 x Screw kit
- 1 x HDD IDE cable (44 pin + 2 x 40 pin)
- 1 x HDD IDE cable (44 pin + 40 pin)
- 1 x HDD SATA cable
- 1 x Driver CD
- 1 x CPU cooler
- 1 x CD drive installation kit
- 1 x FDD installation kit
- 1 x HDD bracket
- 10 x Jumper clips
- 1 x Wall-mounting kit
- 1 x Panel-mounting kit
- 1 x Touch screen driver CD (T-R model only)
- 1 x Touch pen (T-R model only)

1.5 Jumper Settings



NOTE:

These jumper settings and the jumper locations are described in detail in the User Manual that came with the POS-8520 motherboard. Please refer to this manual for a more detailed understanding of the jumper settings



NOTE:

A jumper is a metal bridge that is used to close an electrical circuit. It consists of two metal pins and a small metal clip (often protected by a plastic cover) that slides over the pins to connect them. To CLOSE/SHORT a jumper means connecting the pins of the jumper with the plastic clip and to OPEN a jumper means removing the plastic clip from a jumper.

The POS-8520 comes with fifteen jumpers. They are listed below.

Jumper	Type	Label
Clear CMOS Setup	3-pin header	JP1
COM# RI and Voltage Selection	3-pin header	JP6 JP7 JP8 JP9 JP13 JP14 JP15 JP16
COM2 RS-232/422/485 Setup	12-pin header	JP10
	6-pin header	JP20
CompactFlash Card Setup	2-pin header	JP12
CPU Voltage Setting	10-pin header	S3
Keyboard/Mouse Power Source	3-pin header	JP18
LCD Voltage Select	6-pin header	JP2

Table 3-1: Onboard Jumpers

3.5.1 Remove the Back Cover

The back cover is secured to the chassis with nine retention screws, eight on the rear panel and one on the bottom panel. (See **Figure 3-1**) Remove the nine retention screws and lift the cover off the IVC-19PC-P.

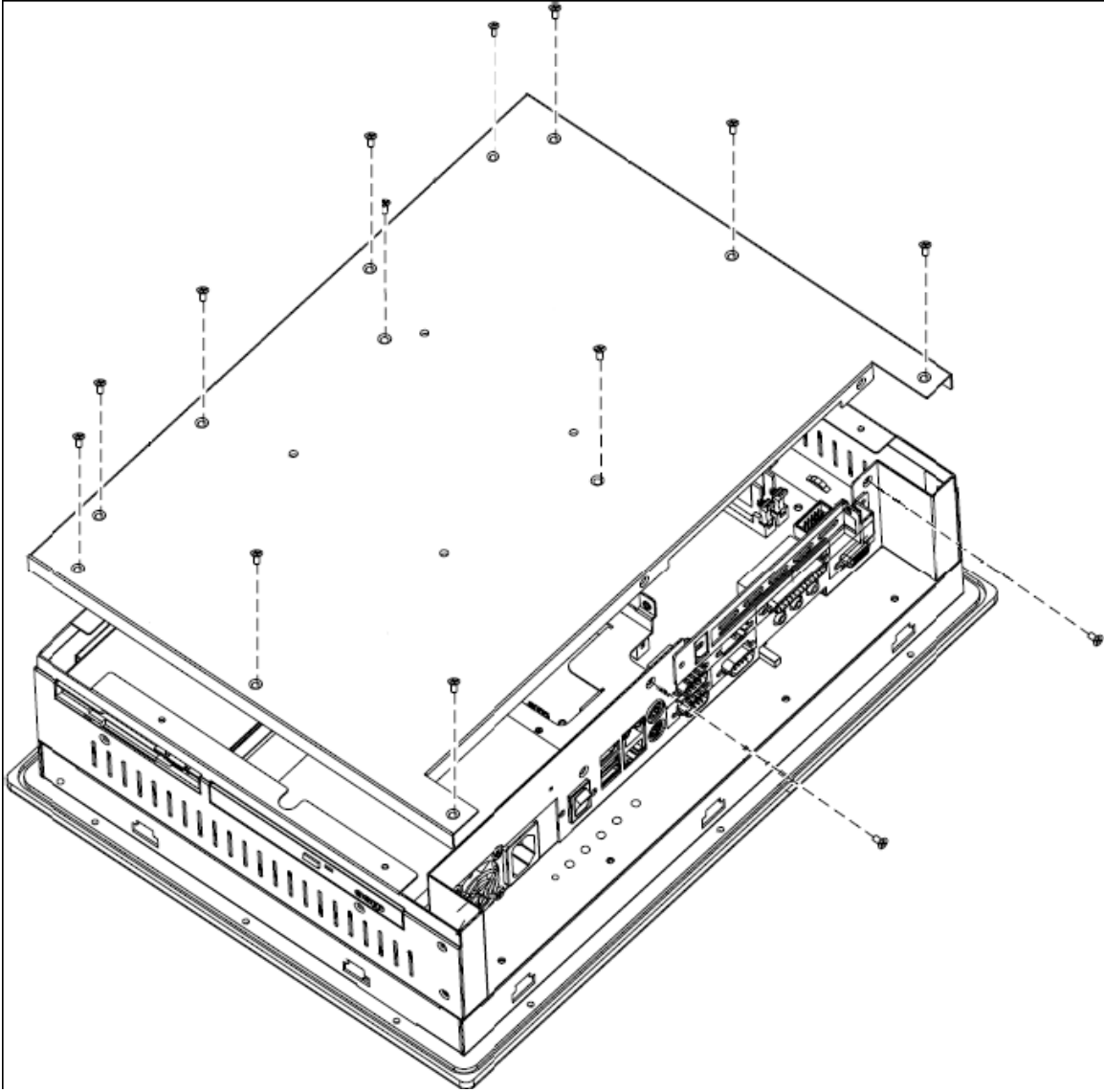


Figure 3-1: Back Cover Retention Screws

3.5.2 CF Card Setup (JP12)

The CF Card Setup jumper configures a CF card as either the slave or the master.

JP12	DESCRIPTION
Open	Slave (Default)
Close	Master

Table 3-2: CF Card Setup Jumper Settings

3.5.3 Clear CMOS Setup (JP1)

If the motherboard fails to boot due to improper BIOS settings, use this jumper to clear the CMOS data and reset the system BIOS information. To do this, use the jumper cap to close pins 2 and 3 for a few seconds then reinstall the jumper clip back to pins 1 and 2.

If the “CMOS Settings Wrong” message displays during the boot up process, try to correct the fault by pressing the F1 to enter the CMOS Setup menu. Then do one of the following:

- Enter the correct CMOS setting
- Load Optimal Defaults

After one of the above has been done, save the changes and exit the CMOS Setup menu.

JP1	DESCRIPTION
1-2 closed	Normal (Default)
2-3 closed	Clear CMOS

Table 3-3: Clear CMOS Jumper Settings

3.5.4 COM2 Port RS232/422/485 Selection (JP10, JP20)

The COM Port jumper configures the COM2 serial port.

JP10	JP20	DESCRIPTION
1-2,4-5,7-8,10-11 closed	1-3 closed	RS232 (default)
2-3,5-6,8-9,11-12 closed	3-5, 2-4 closed	RS422
2-3,5-6,8-9,11-12 closed	3-5, 4-6 closed	RS485

Table 3-4: COM2 Port Jumper Settings

3.5.5 COM port RI and Voltage Selection

Use JP7 and JP9 to set pin 9 of COM1 as signal RI or voltage source.

JP9	DESCRIPTION
2-3 closed	COM1 RI PIN Use RI
1-2 closed	COM1 RI PIN Use Voltage

Table 3-5: COM1 RI and Voltage Selection Jumper

JP7	DESCRIPTION
2-3 closed	COM1 RI PIN Use Voltage +12V
1-2 closed	COM1 RI PIN Use Voltage +5V

Table 3-6: COM1 RI Voltage Selection Jumper



NOTE:

The use of pin 2-3 or pin 1-2 of JP7 does not make any difference when pin 2-3 of JP9 is in use.

Use JP6 and JP8 to set pin 9 of COM2 as signal RI or voltage source.

JP8	DESCRIPTION
2-3 closed	COM2 RI PIN Use RI
1-2 closed	COM2 RI PIN Use Voltage

Table 3-7: COM2 RI and Voltage Selection Jumper

JP6	DESCRIPTION
2-3 closed	COM2 RI PIN Use Voltage +12V
1-2 closed	COM2 RI PIN Use Voltage +5V

Table 3-8: COM2 RI Voltage Selection Jumper

Use JP13 and JP15 to set pin 9 of COM3 as signal RI or voltage source.

JP15	DESCRIPTION
2-3 closed	COM3 RI PIN Use RI
1-2 closed	COM3 RI PIN Use Voltage

Table 3-9: COM3 RI and Voltage Selection Jumper

JP13	DESCRIPTION
2-3 closed	COM3 RI PIN Use Voltage +12V
1-2 closed	COM3 RI PIN Use Voltage +5V

Table 3-10: COM3 RI Voltage Selection Jumper

Use JP14 and JP16 to set pin 9 of COM4 as signal RI or voltage source.

JP16	DESCRIPTION
2-3 closed	COM4 RI PIN Use RI
1-2 closed	COM4 RI PIN Use Voltage

Table 3-11: COM4 RI and Voltage Selection Jumper

JP14	DESCRIPTION
2-3 closed	COM4 RI PIN Use Voltage +12V
1-2 closed	COM4 RI PIN Use Voltage +5V

Table 3-12: COM4 RI Voltage Selection Jumper

3.5.6 CPU Voltage Setting (S3)

Two different types of CPU can be used on the POS-8520 motherboard. One is Pentium 4 CPU and the other is Pentium4-M CPU. Use the CPU voltage setting jumper (S3) to configure the power of CPU. When using Pentium 4 CPU, please open S3 jumper. CPU VID automatically configures the power of CPU. When using Pentium 4-M CPU, short 1-2, 7-8, 11-12 pins and open 3-4, 5-6, 9-10 pins of S3. The power of CPU is then set to 1.3V.

S3	DESCRIPTION
All Open	Pentium 4 CPU (Default)
1-2, 7-8, 11-12 closed	Pentium 4-M CPU (1.3V)

Table 3-13: CPU Voltage Setting

3.5.7 Keyboard and Mouse Power Source Setting (JP18)

JP18	DESCRIPTION
1-2 closed	VCC (default)
2-3 closed	5VSB

Table 3-14: Keyboard and Mouse Power Source Setting

3.5.8 LCD Voltage Setup (JP2)

**WARNING:**

Do not change this voltage. This voltage has been preset and is compatible with the currently installed 19" TFT LCD screen. Change this jumper setting may cause damage to the system.

The LCD Voltage Setup jumper sets the voltage for the LCD screen. This setting **MUST NOT** be changed.

JP2	DESCRIPTION
1-2 closed	+3.3V (default)
3-4 closed	+5V
5-6 closed	+12V

Table 3-15: LCD Voltage Setup Jumper Settings

3.6 HDD, FDD and CD Drive Installation

3.6.1 HDD Installation

To install the HDD, please follow the steps below:

Step 2: Remove the back cover. See **Section 3.5.1** above.

Step 2: The HDD bracket is attached to the elevated platform by four retention screws. Remove the four retention screws from the elevated platform. (See **Figure 3-2**)

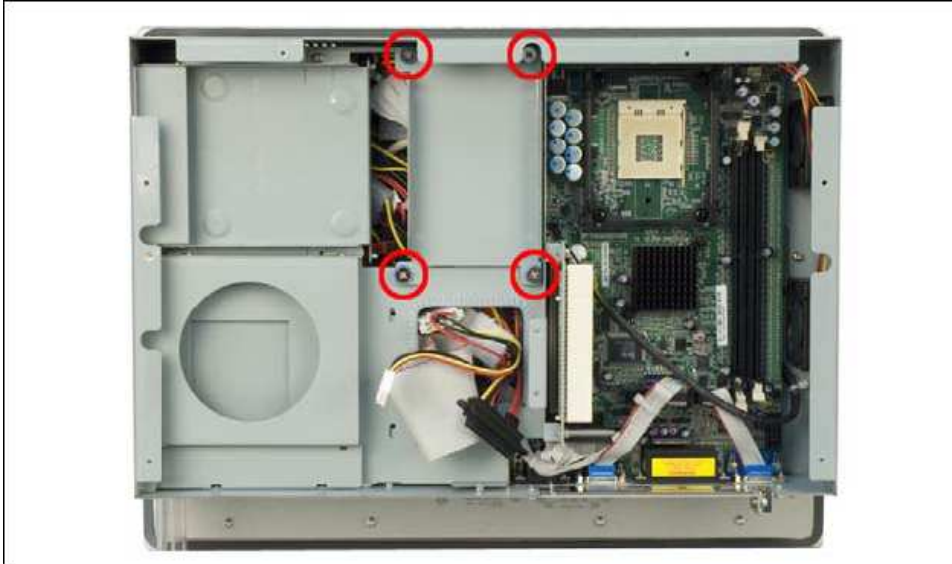


Figure 3-2: HDD Retention Screws

Step 3: Attach the HDD bracket to the HDD. To do this, align the four retention screw holes in both side of HDD bracket with the retention screw holes on the side of the HDD. Insert four retention screws into the bracket on both sides of the HDD.

Step 4: Install the HDD into the IVC-19PC-P by aligning the retention screw holes in the base of the HDD bracket with the retention screw holes on the elevated platform. Insert the four retention screws into the base of the HDD bracket.

Step 5: Connect the IDE/SATA cable from the IDE/SATA connector on the motherboard to the rear of HDD.

3.6.2 FDD Installation

To install the FDD, please follow the steps below:

Step 1: The FDD bracket is attached to the elevated platform by two retention screws. (see **Figure 3-3**) Remove the two retention screws from the elevated platform and the chassis. Remove the FDD bracket by sliding toward the HDD.

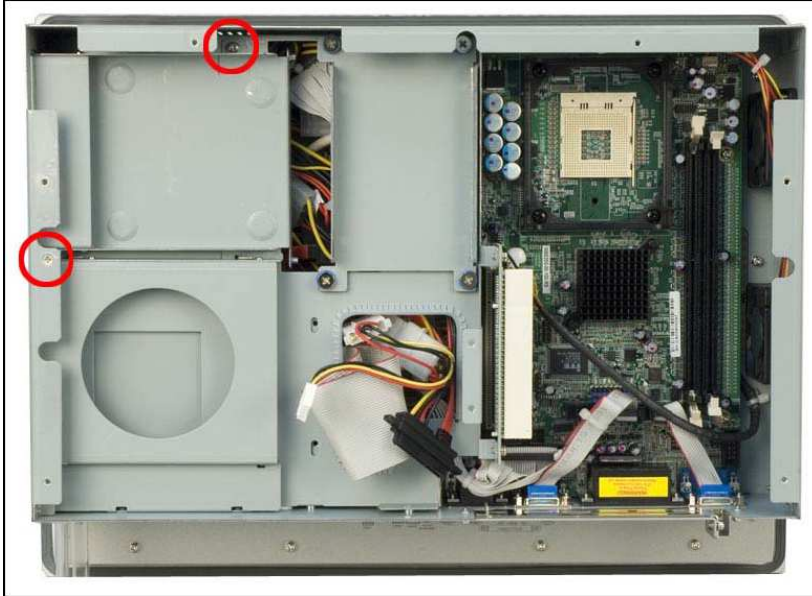


Figure 3-3: FDD Retention Screws

Step 2: Attach the FDD adapter to the FDD by aligning the two retention screw holes in the FDD adapter with the retention screw holes on the rear side of the FDD bracket. Insert two retention screws into the adapter. (See **Figure 3-4**) Connect the FDD adapter and FDD with the twisted cable.

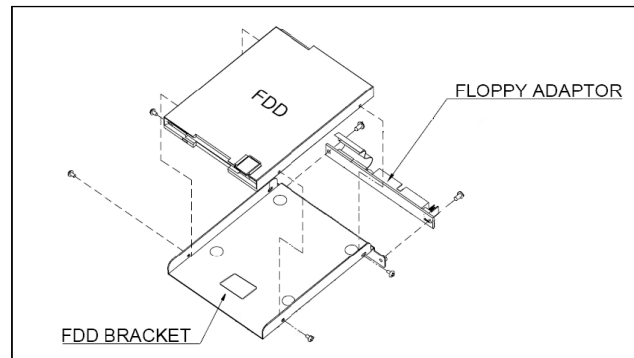


Figure 3-4: FDD Adapter and FDD Bracket Installation

Step 3: Attach the FDD bracket to the FDD. To do this, align the four retention screw holes in the FDD bracket with the retention screw holes on the sides of the FDD. Insert four retention screws into the bracket of the FDD.

Step 4: Slide the FDD into the IVC-19PC-P and align the retention screw holes in the base and top of the FDD bracket with the retention screw hole on the chassis panel and the metal sheet. Insert the two retention screws.

Step 5: Connect the FDD ribbon cable and the power cable from the connectors on the motherboard and the PSU to the rear of the FDD.

3.6.3 CD Drive Installation

To install the CD drive, please follow the steps below:

Step 1: Attach a CD drive adapter to a CD drive by aligning the two retention screw holes in the CD drive adapter with the retention screw holes on the rear side of the CD drive.

Step 2: Place two spacers between the CD drive and CD drive adapter.

Step 3: Insert two retention screws and secure the adapter to the CD drive (**Figure 3-5**)

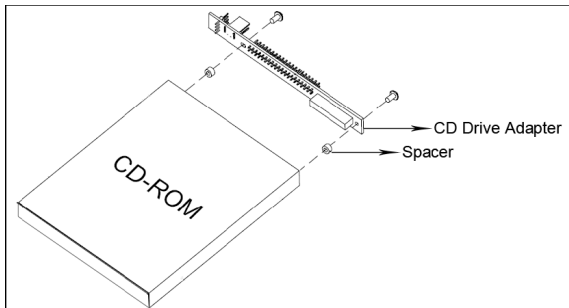


Figure 3-5: CD Drive Adapter Installation

Step 4: The CD drive blank plate assembly is attached to the rear panel by two retention screws (**Figure 3-6**).



Figure 3-6: CD Drive Retention Screws

Step 5: Remove the two retention screws from the bottom panel and slide the CD drive blank plate assembly toward the PCI riser card until it can be lifted out of the chassis (**Figure 3-7**).

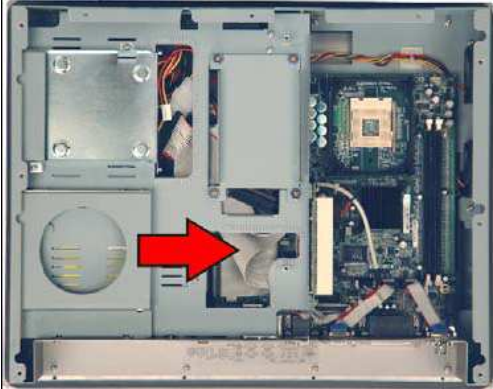


Figure 3-7: Remove CD Drive

Step 6: The CD drive blank plate assembly consists of a blank plate and two brackets that attach the assembly to the chassis. The two brackets each have two screws that attach them to the blank plate. **Figure 3-8** shows the underside of the CD drive blank plate assembly with the four screws to be removed.

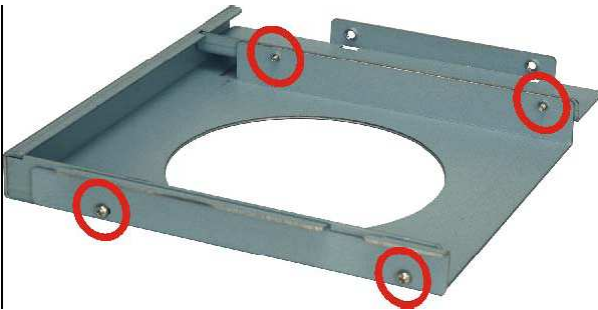


Figure 3-8: CD Drive Blank Plate Assembly

Step 7: Attach the two brackets to a CD drive with the four retention screws in the CD-ROM installation kit. Be sure to orient the brackets properly before attaching them to the CD drive. **Figure 3-9** shows two views of a CD drive with the brackets attached and the proper retention screws to use.

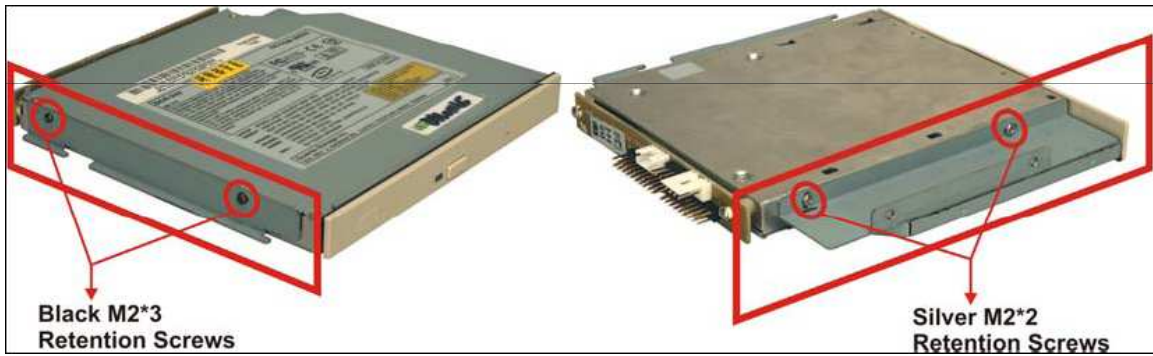


Figure 3-9: CD Drive Blank Plate Assembly



WARNING!

The two screws (black M2*3) shown in the left image of **Figure 3-9** are different from the two screws (silver M2*2) shown in the right. Please secure the correct screws into the CD drive according to the images shown in the **Figure 3-9**.

Step 8: Slide the CD drive into the PPC-5150 and align the two retention screw holes in the side of the CD drive bracket with the retention screw holes on the bottom panel.

Step 9: Reinsert the two previously removed retention screws.

Step 10: Connect the CD ribbon cable and the power cable from the connectors on the motherboard and the PSU to the rear of the CD drive. **Figure 3-10** shows a properly installed CD drive.

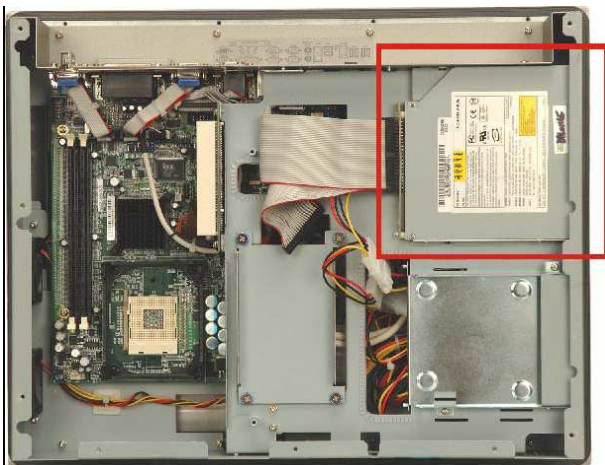


Figure 3-10: CD Drive Installed

3.5 Mounting the System



WARNING!

When mounting the IVC-19PC-P flat panel PC onto an arm, onto the wall or onto a panel, it is better to have more than one person to help with the installation to make sure the IVC-19PC-P does not fall down and get damaged.

The four methods of mounting the IVC-19PC-P are:

- Wall mounting
- Panel mounting
- Arm mounting
- Rack mounting
-

The four mounting methods are fully described below.

3.7.1 Wall Mounting

To mount the IVC-19PC-P flat panel PC onto a wall, please follow the steps below.

Step 1: Select the location on the wall for the wall-mounting bracket.

Step 2: Carefully mark the locations of the four bracket screw holes on the wall.

Step 3: Drill four pilot holes at the marked locations on the wall for the bracket retention screws.

Step 4: Align the wall-mounting bracket screw holes with the pilot holes.

Step 5: Secure the mounting-bracket to the wall by inserting the retention screws into the four pilot holes and tightening them (see **Figure 3-11**).

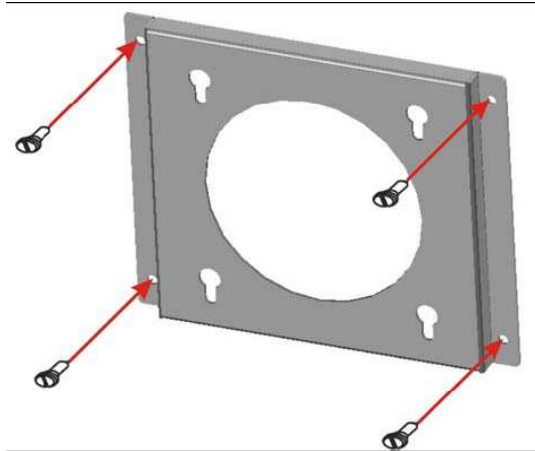


Figure 3-11: Wall-mounting Bracket

Step 6: Insert the four monitor mounting screws provided in the wall mounting kit into the four screw holes on the rear panel of the monitor and tighten until the screw shank is secured against the rear panel (see **Figure 3-12**).

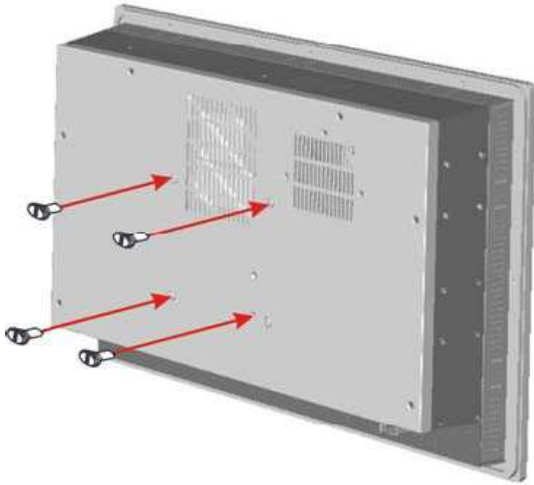


Figure 3-12: Chassis Support Screws

Step 7: Align the mounting screws on the monitor rear panel with the mounting holes on the bracket.

Step 8: Carefully insert the screws through the holes and gently pull the monitor downwards until the monitor rests securely in the slotted holes (see **Figure 3-13**). Ensure that all four of the mounting screws fit snugly into their respective slotted holes.



NOTE:

In the diagram below the bracket is already installed on the wall.

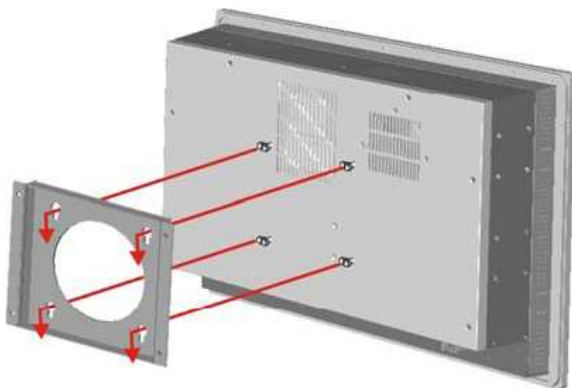


Figure 3-13: Mount the Chassis

3.7.2 Panel Mounting

To mount the IVC-19PC-P flat panel PC into a panel, please follow the steps below.



NOTE:

The maximum panel thickness should be no more than 6mm.

Step 1: Select the position on the panel to mount the IVC-19PC-P.

Step 2: Cut out a section from the panel that corresponds to the rear panel dimensions of the IVC-19PC-P. Take care that the panel section that is cut out is smaller than the overall size of the metal frame that surrounds the IVC-19PC-P but just large enough for the rear panel of the IVC-19PC-P to fit through (see **Figure 3-14**).

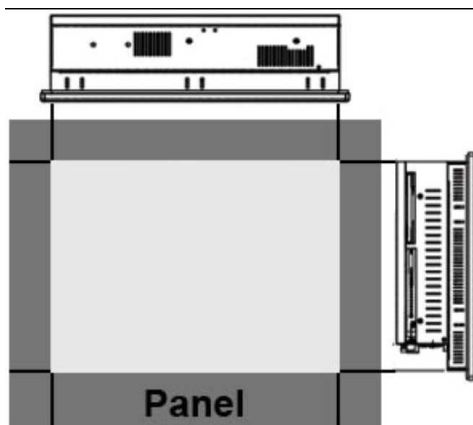


Figure 3-14: Cut the Panel

Step 3: Slide the IVC-19PC-P through the hole until the metal frame is flush against the panel.

Step 4: Insert the panel mounting clamps into the pre-formed holes along the edges of the IVC-19PC-P, behind the metal frame. Refer to the mounting kit packing list for the required number of mounting clamps.

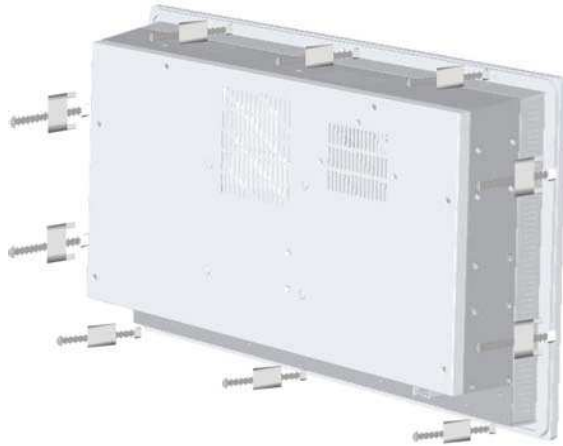


Figure 3-15: Panel Mounting Clamp Positions

Step 5: Tighten the screws that pass through the panel mounting clamps until the plastic caps at the front of all the screws are firmly secured to the panel (**Figure 3-16**).

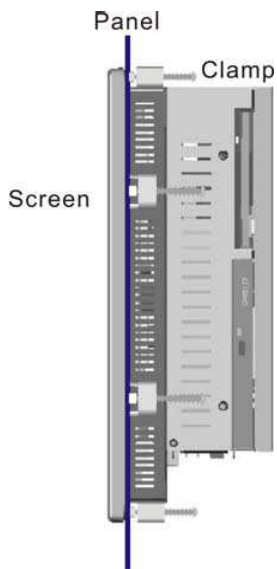


Figure 3-16: Tighten the Panel Mounting Clamp Screws

3.7.3 Arm Mounting

The IVC-19PC-P is VESA (Video Electronics Standards Association) compliant and can be mounted on an arm with a 100mm interface pad. To mount the IVC-19PC-P on an arm, please follow the steps below.

Step 1: The arm is a separately purchased item. Please correctly mount the arm onto the surface it uses as a base. To do this, refer to the installation documentation that came with the mounting arm.



NOTE:

When purchasing the arm please ensure that it is VESA compliant and that the arm has a 100mm interface pad. If the mounting arm is not VESA compliant it cannot be used to support the IVC-19PC-P flat panel PC.

Step 2: Once the mounting arm has been firmly attached to its surface, lift the IVC-19PC-P flat panel PC onto the interface pad of the mounting arm.

Step 3: Align the retention screw holes on the mounting arm interface with those in the IVC-19PC-P flat panel PC. The IVC-19PC-P flat panel PC arm mount retention screw holes are shown in **Figure 3-17**.

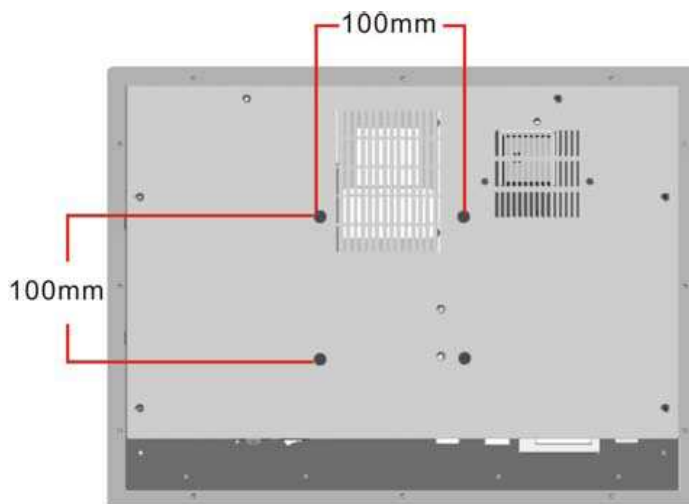


Figure 3-17: Arm Mount Retention Screw Holes

Step 4: Secure the IVC-19PC-P to the interface pad by inserting four retention screws through the mounting arm interface pad and into the IVC-19PC-P flat panel PC.

3.7.4 Cabinet and Rack Installation

The IVC-19PC-P flat panel PC can be installed into a cabinet or rack. To do this, please follow the steps below.

Step 1: Secure the rack mounting bracket to two sides of the monitor using the supplied retention screws. Each bracket requires four screws.

Step 2: Secure the rack mounting bracket to the rack by inserting and tightening the supplied mounting nuts and bolts. Each bracket requires three nuts and bolts for installation.

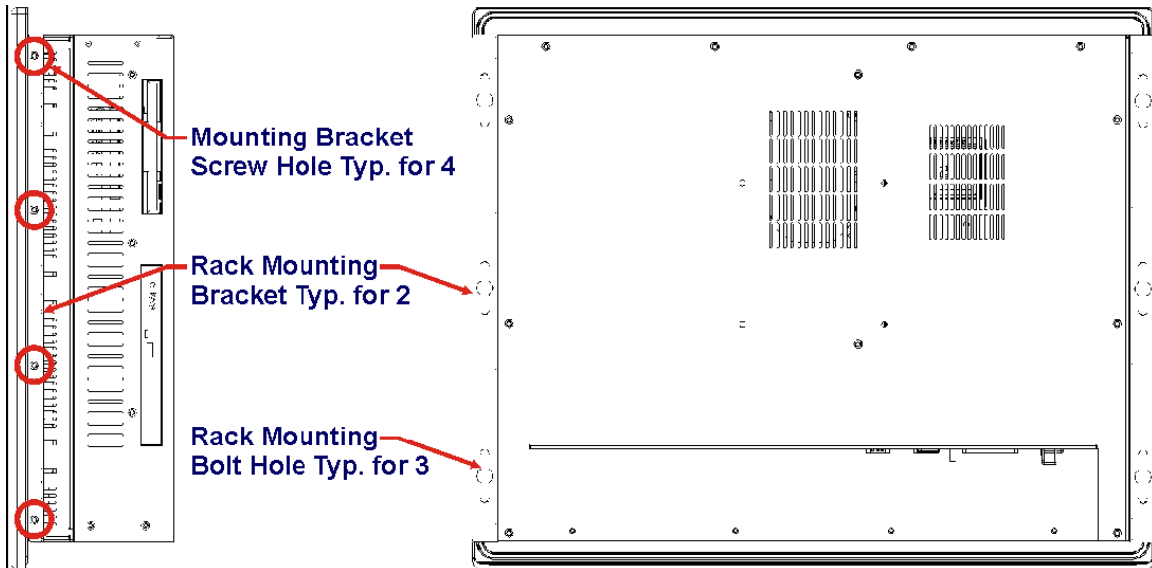


Figure 3-18: Rack Mounting

3.8 Rear Panel Connectors

3.8.1 LCD Panel Connection

A conventional CRT VGA 15-pin female D-SUB connector is located on the bottom panel to connect the IVC-19PC-P flat panel PC to a second monitor.



NOTE:

To use the dual screen option, please configure this option in the **Intel® Extreme Graphics** configuration program. To do this, after Windows has loaded, open the **Control Panel**, locate the **Intel® Extreme Graphics** icon, click on it. Once open, an option for **Multiple Display** is available. Select this option and select notebook as the primary device.

3.8.2 Ethernet Connection

The two external peripheral interface RJ-45 connectors can be connected to an external LAN to provide Internet connectivity to the flat panel PC.

3.8.3 USB Connection

The external peripheral interface USB connectors provide easy and quick access to external USB devices. The external peripheral interface USB connectors are a standard connector and can easily be connected to other USB devices.

3.8.4 Keyboard and Mouse Connection

Two PS/2 connectors on the external peripheral interface panel facilitate the connection of a mouse and a keyboard. To connect either device, plug the PS/2 connector at the end of the keyboard or mouse cable into the corresponding PS/2 connector on the external peripheral interface panel.

3.8.5 Parallel Port Connection

The parallel port is typically connected to a printer, but can also be connected to other parallel devices.

System Maintenance

4.1 System Maintenance Introduction

The following system components may require maintenance.

- CPU cooling fan
- PSU module
- DIMM module
- Motherboard

If these components fail, they must be replaced. Please contact the system reseller or vendor to purchase the replacement parts. Replacement instructions for the above listed components are described below.

4.2 Motherboard Replacement

A user cannot replace a motherboard. If the motherboard fails it must be shipped back to IVC Displays to be replaced. If the system motherboard has failed, please contact the system vendor, reseller or an IVC Displays sales person directly.

4.3 Back Cover Removal and Elevated Platform Detachment

4.3.1 Back Cover Removal



WARNING!

BEFORE REMOVING THE BACK COVER, MAKE SURE THE POWER IS OFF. Failing to do so may lead to severe damage of IVC-19PC-P and injury to the body.



WARNING!

PLEASE TAKE ANTISTATIC PRECAUTIONS WHEN WORKING WITH THE INTERNAL COMPONENTS. The interior of the IVC-19PC-P contains very sensitive electronic components. These components are easily damaged by electrostatic discharge (ESD). Before working with the Internal components make sure all the anti-static precautions described earlier have been observed.

To access the panel PC internal components, the back cover must be removed. To remove the back cover, please follow the steps below.

Step 1: Remove the IVC-19PC-P from its mount (panel, wall, rack, arm, etc.).

Step 2: The back cover is secured to the chassis with nine retention screws, eight on the rear panel and one on the bottom panel. (See **Figure 4-1**) Remove the nine retention screws and lift the cover off the IVC-19PC-P.

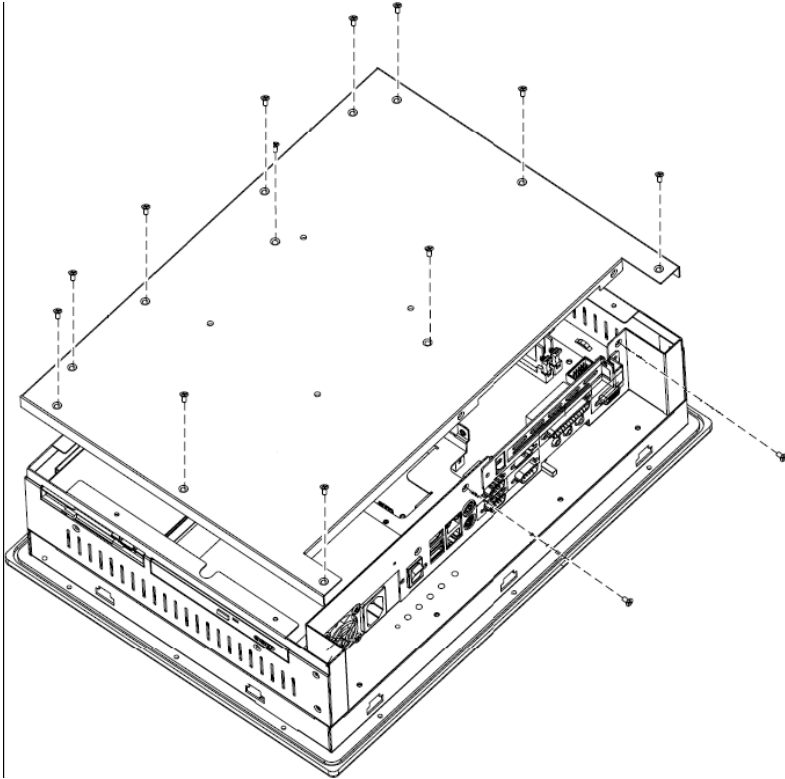


Figure 4-1: Rear Cover Retention Screws (Real Panel)

4.3.2 Detaching the Elevated Platform

To replace PSU module, the back cover of the IVC-19PC-P must be removed and the elevated platform must be detached. Back cover removal is discussed above (see **Section 4.3.1**). To detach the elevated platform, please follow the steps below.

Step 1: The elevated platform is located on the right side of the IVC-19PC-P and supports the FDD, the CD drive and the HDD.

Step 2: The elevated platform is secured to the chassis with eight retention screws, two on the platform (see **Figure 4-2**), two on the top panel (see **Figure 4-3**), two on the right panel (see **Figure 4-4**) and two on the bottom panel (see **Figure 4-5**).

Remove these eight retention screws.

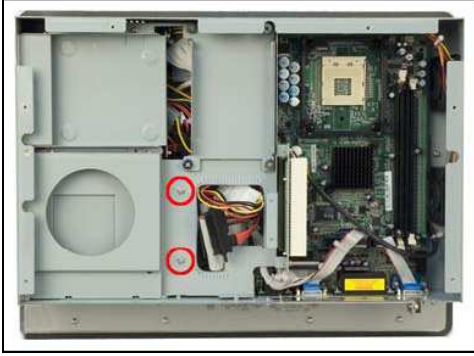


Figure 4-2: Internal Elevated Platform Retention Screws

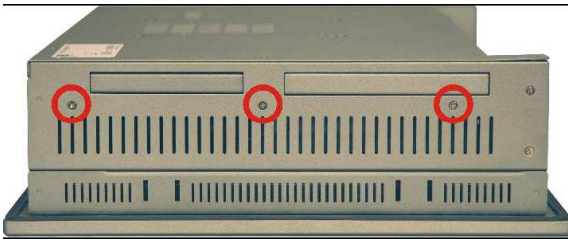


Figure 4-4: Elevated Platform Retention Screws (Right Panel)



Figure 4-5: Elevated Platform Retention Screws (Bottom Panel)

Step 3: A PCI riser card is attached to the side of the elevated platform with two retention screws. Remove the two retention screws and the PCI riser card from the chassis.



Figure 4-6: PCI Riser Card Retention Screws

4.4 DIMM Replacement

To install the DIMM please follow the steps below.

Step 1: Remove the back cover. See **Section 4.3.1** above.

Step 2: Locate the DIMM. It is on the motherboard near the top of the IVC-19PC-P flat screen PC. Push the white clips on the side of the DIMM down. The DIMM is dislodged from the DIMM socket. (See **Figure 4-7**)

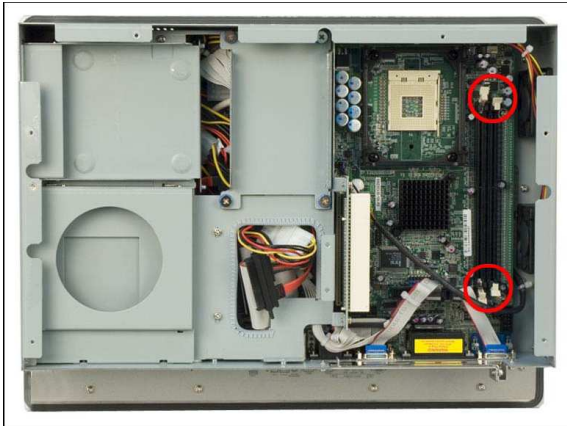


Figure 4-7: DIMM Socket Clip Locations

Step 3: Slowly slide the new DIMM module along the plastic guides at both ends of the socket. Press the DIMM module down into the socket until it clicks into position and the two handles have automatically locked the memory module into place.

4.5 PSU Module Replacement

If the PSU module has been damaged it must be replaced. To replace the PSU module, please follow the steps below.

Step 1: Remove the back cover. See **Section 4.3.1** above.

Step 2: Detach the elevated platform. See **Section 4.3.2** above.

Step 3: Remove and remove the elevated platform from the IVC-19PC-P.

Step 4: Disconnect the PSU power cable connectors from the motherboard (**Figure 4-8**)

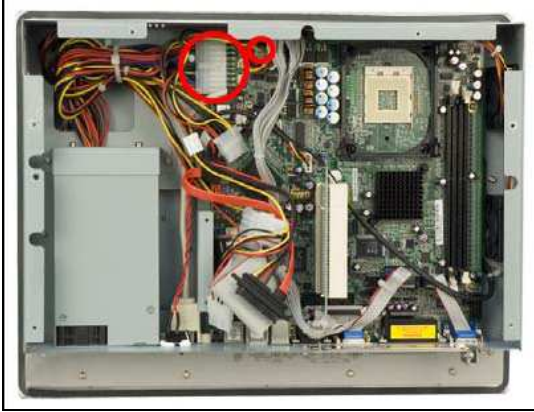


Figure 4-8: PSU Motherboard Connector

Step 5: The PSU module is secured to the IVC-19PC-P flat panel PC with four retention screws, two connect to the metal sheet at the back of the 19" TFT LCD screen (**Figure 4-9**) and the other two are inserted through the bottom panel and into the PSU module (**Figure 4-10**). Remove these four retention screws.

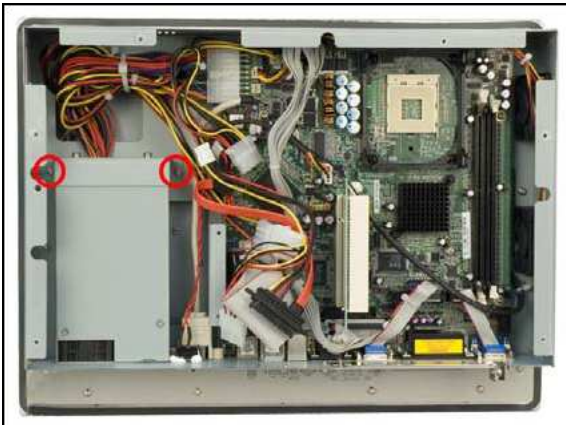


Figure 4-9: PSU Internal Retention Screws



Figure 4-10: PSU External Retention Screws

Step 6: Remove the PSU module from the IVC-19PC-P flat panel PC. The PSU module cables are connected together with ties. This is to help save space in the chassis. Remove the plastic tie.

Step 7: Bundle the cables of the new PSU module, and secure them with a plastic tie, in a way similar to the old PSU module.

Step 8: Before inserting the new PSU module into the chassis, reconnect the PSU module connectors to the motherboard power connector (PW1 and PW2).

Step 9: Place the new PSU module into the IVC-19PC-P flat panel PC.

Step 10: Secure the new PSU module to the IVC-19PC-P flat panel PC by reinserting the two retention screws into the metal plate behind the 19" TFT LCD screen and the two retention screws through the bottom panel of the IVC-19PC-P flat panel PC.

Step 11: Reattach the elevated platform removed in Step 2.

Step 12: Replace the back cover.

AMI BIOS

5.1 Introduction

A licensed copy of AMI BIOS is preprogrammed into the ROM BIOS. The BIOS setup program allows users to modify the basic system configuration. This chapter describes how to access the BIOS setup program and the configuration options that may be changed.

5.1.1 Starting Setup

The AMI BIOS is activated when the computer is turned on. The setup program can be activated in one of two ways.

1. Press the **DELETE** key as soon as the system is turned on or
2. Press the **DELETE** key when the “**Press Del to enter SETUP**” message appears on the screen

If the message disappears before the **DELETE** key is pressed, restart the computer and try again.

5.1.2 Using Setup

Use the arrow keys to highlight items, press **ENTER** to select, use the “+” and “-“ keys to change entries, press **F1** for help and press **Esc** to quit. Navigation keys are shown in.

Key	Function
Up arrow	Move to previous item
Down arrow	Move to next item
Left arrow	Move to the item on the left hand side
Right arrow	Move to the item on the right hand side
Esc key	Main Menu – Quit and not save changes into CMOS Status Page Setup Menu and Option Page Setup Menu -- Exit current page and return to Main Menu
“+” key	Increase the numeric value or make changes
“-“ key	Decrease the numeric value or make changes
F1 key	General help, only for Status Page Setup Menu and Option Page Setup Menu
F2 /F3 key	Change color from total 16 colors. F2 to select color forward.
F10 key	Save all the CMOS changes, only for Main Menu

Table 5-1: BIOS Navigation Keys

5.1.3 Getting Help

When **F1** is pressed a small help window describing the appropriate keys to use and the possible selections for the highlighted item appears. To exit the Help Window press **Esc** or the **F1** key again.

5.1.4 Unable to Reboot After Configuration Changes

If the computer cannot boot after changes are made to the system configuration, use the jumper described in **Chapter 3, Section 3.5.3** to reset the CMOS defaults.

5.1.5 BIOS Menu Bar

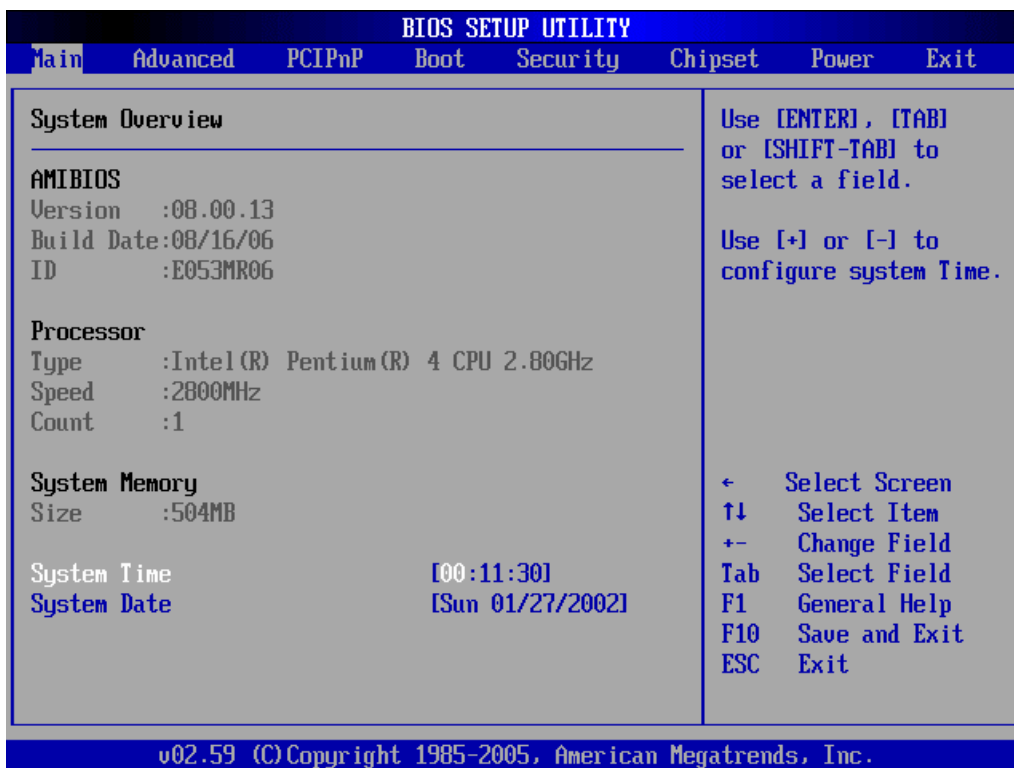
The **menu bar** on top of the BIOS screen has the following main items:

- **Main** Changes the basic system configuration.
- **Advanced** Changes the advanced system settings.
- **PCIPnP** Changes the advanced PCI/PnP Settings
- **Boot** Changes the system boot configuration.
- **Security** Sets User and Supervisor Passwords.
- **Chipset** Changes the chipset settings.
- **Power** Changes power management settings.
- **Exit** Selects exit options and loads default settings

The following sections completely describe the configuration options found in the menu items at the top of the BIOS screen and listed above.

5.2 Main

The **Main** BIOS menu (**BIOS Menu 1**) appears when the **BIOS Setup** program is entered. The **Main** menu gives an overview of the basic system information.



BIOS Menu 1: Main

→ System Overview

The **System Overview** lists a brief summary of different system components. The fields in **System Overview** cannot be changed. The items shown in the system overview include:

- **AMI BIOS:** Displays auto-detected BIOS information
 - **Version:** Current BIOS version
 - **Build Date:** Date the current BIOS version was made
 - **ID:** Installed BIOS ID
- **Processor:** Displays auto-detected CPU specifications
 - **Type:** Names the currently installed processor
 - **Speed:** Lists the processor speed
 - **Count:** The number of CPUs on the motherboard
- **System Memory:** Displays the auto-detected system memory.
 - **Size:** Lists memory size

The **System Overview** field also has two user configurable fields:

→ System Time [xx:xx:xx]

Use the **System Time** option to set the system time. Manually enter the hours, minutes and seconds.

→ System Date [xx/xx/xx]

Use the **System Date** option to set the system date. Manually enter the day, month and year.

5.3 Advanced

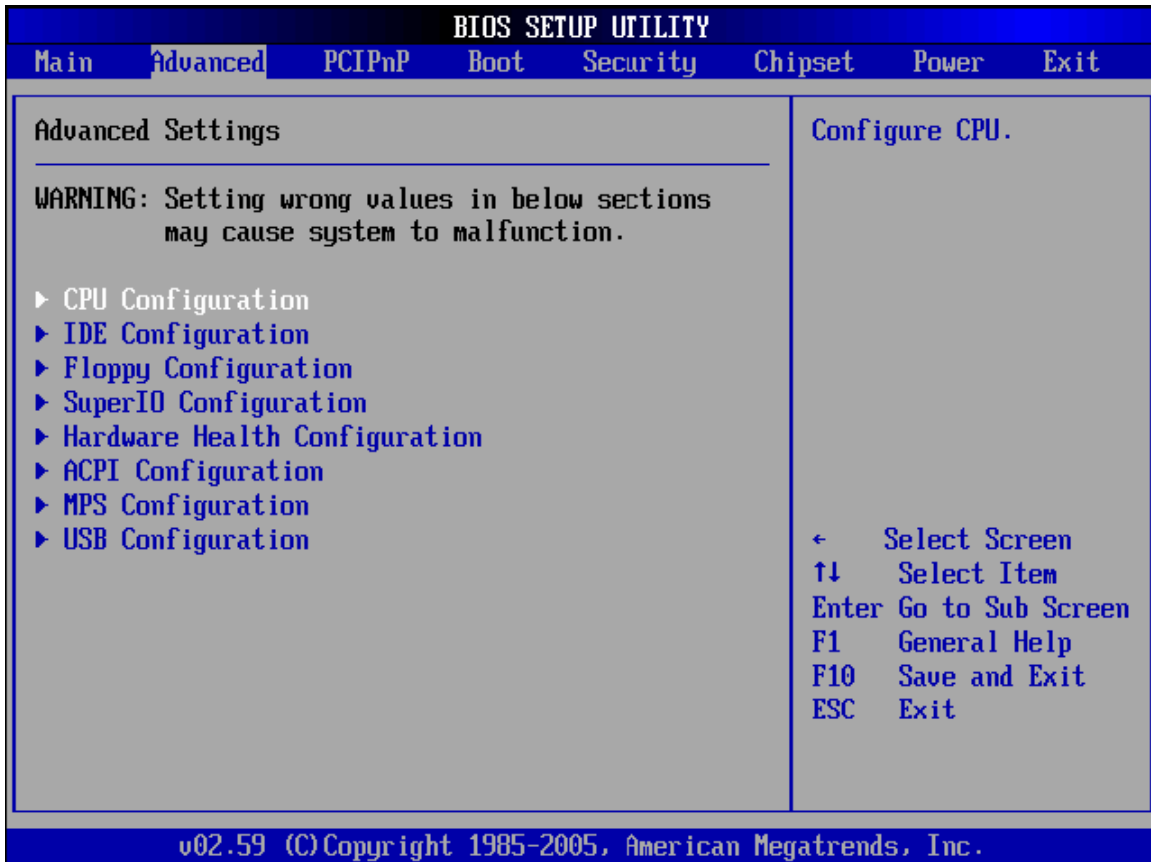
Use the **Advanced** menu (**BIOS Menu 2**) to configure the CPU and peripheral devices through the following sub-menus:



WARNING:

Setting the wrong values in the sections below may cause the system to malfunction. Make sure that the settings made are compatible with the hardware.

- CPU Configuration (see Section 5.3.1)
- IDE Configuration (see Section 5.3.2)
- Floppy Configuration (see Section 5.3.3)
- SuperIO Configuration (see Section 5.3.4)
- Hardware Health Configuration (see Section 5.3.5)
- ACPI Configuration (see Section 5.3.6)
- MPS Configuration (see Section 5.3.7)
- Remote Access Configuration (see Section **Error! Reference source not found.**)
- USB Configuration (see Section 5.3.9)



BIOS Menu 2: Advanced

5.3.1 CPU Configuration

Use the **CPU Configuration** menu (**BIOS Menu 3**) to view detailed CPU specifications and configure the CPU.



BIOS Menu 3: CPU Configuration

The CPU Configuration menu (**BIOS Menu 3**) lists the following CPU details:

- **Manufacturer:** Lists the name of the CPU manufacturer
- **Brand String:** Lists the brand name of the CPU being used
- **Frequency:** Lists the CPU processing speed
- **FSB Speed:** Lists the FSB speed
- **Cache L1:** Lists the CPU L1 cache size
- **Cache L2:** Lists the CPU L2 cache size

The following **CPU Configuration** menu items can be configured.

- Max CPUID Value Limit
- Hyper Threading Technology

→ **Max CUPID Value Limit [Disabled]**



NOTE:

If the OS is NT, this value must be set to enabled.

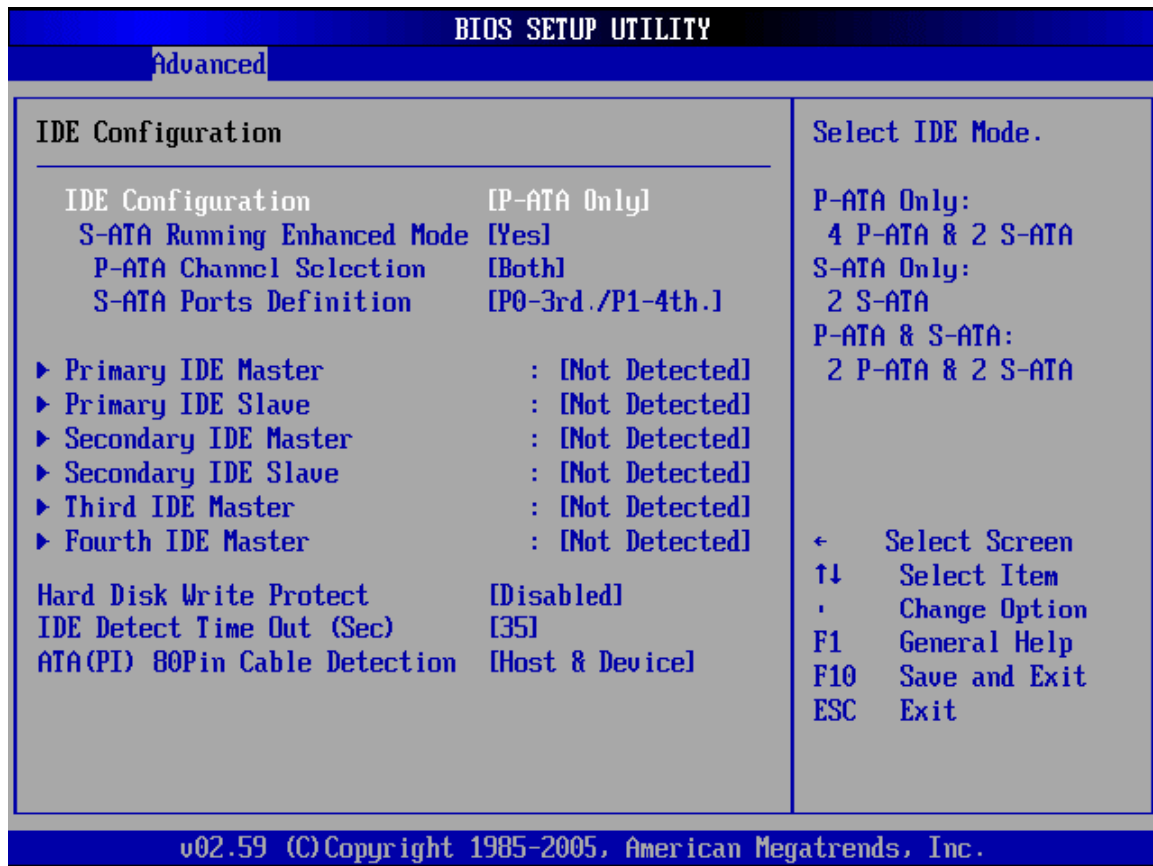
- Disabled DEFAULT** Disables legacy OSes that cannot support CPUs with extended CUPID functions from booting up
- Enabled** Enables legacy OSes that cannot support CPUs with extended CUPID functions to boot up

Hyper Threading Technology [Disabled]

- Disabled DEFAULT** Disables the use of hyper threading technology
- Enabled** Enables the use of hyper threading technology

5.3.2 IDE Configuration

Use the **IDE Configuration** menu (**BIOS Menu 4**) to of the IDE devices installed in the system.



BIOS Menu 4: IDE Configuration

→ IDE Configuration [P-ATA Only]

Use **IDE Configuration** option to setup the configuration of the hard drive interfaces.

- | | |
|-----------------------------|--|
| → Disabled | The hard drive interfaces are disabled. |
| → P-ATA Only DEFAULT | The hard drive interfaces are configured as P-ATA only. |
| → S-ATA Only | The hard drive interfaces are configured as S-ATA only. |
| → P-ATA & S-ATA | The hard drive interfaces are configured as P-ATA and S-ATA. |

S-ATA Running Enhanced Mode [Yes]

Use **S-ATA Running Enhanced Mode** option to select whether the S-ATA interface is running in enhanced mode or legacy mode.

- | | |
|----------------------|--|
| → Yes DEFAULT | The S-ATA interface is running in enhanced mode. |
| → No | The S-ATA interface is running in legacy mode. |

→ P-ATA Channel Selection [Both]

Use **P-ATA Channel Selection** option to select the active IDE channels.

- | | |
|-----------------------|---|
| → Primary | The primary P-ATA channel is set to be the active IDE channel. |
| → Secondary | The secondary P-ATA channel is set to be the active IDE channel. |
| → Both DEFAULT | The primary and secondary P-ATA channel are both set to be the active IDE channels. |

→ **S-ATA Ports Definition [PO-3rd./P1-4th.]**

Use S-ATA Ports Definition option to select the physical ports for S-ATA.

→ **PO-3rd./P1-4th.** Set the physical ports (PO/PI) to be 3rd./4th.
DEFAULT

→ **PO-4th. /P1-3rd.** Set the physical ports (PO/PI) to be 4th./3rd.

→ **Configure S-ATA as RAID [No]**

The **Configure S-ATA as RAID** option can only be selected if the **IDE Configuration** option is set to "P-ATA Only". Use **Configure S-ATA as RAID** option to configure the S-ATA interface as RAID.

→ **No DEFAULT** The S-ATA interface cannot be configured as RAID drive.

→ **Yes** The S-ATA interface can be configured as RAID drive.

→ **Hard Disk Write Protect [Disabled]**

The **Hard Disk Write Protect** BIOS option protects the hard disks from being overwritten. This menu item is only effective if the device is accessed through the BIOS.

→ **Disabled DEFAULT** Allows hard disks to be overwritten

→ **Enabled** Prevents hard disks from being overwritten

→ **IDE Detect Time Out (Sec) [35]**

The **IDE Detect Time Out (Sec)** BIOS option specifies the maximum time (in seconds) the AMI BIOS will search for IDE devices. This allows fine-tunes the settings to allow for faster boot times. The following configuration options are available.

- 0 seconds
- seconds
- 10 seconds
- 15 seconds
- 20 seconds
- 25 seconds
- 30 seconds
- 35 seconds **DEFAULT**

The best setting to use if the onboard IDE controllers are set to a specific IDE disk drive in the AMIBIOS is "0 seconds" and a large majority of ultra ATA hard disk drives can be detected well within "5 seconds" (the default setting).

→ **ATA (PI) 80Pin Cable Detection [Host & Device]**

When an Ultra ATA/66, an Ultra ATA/100 or an Ultra ATA/133 IDE hard disk drive is used, an 80-conductor ATA cable must be used. The 80-conductor ATA cable is plug compatible with the standard 40-conductor ATA cable. The system must detect the presence of correct cable so that the AMIBIOS can instruct the drive to run at the correct speed for the cable type detected.

The **ATA (PI) 80Pin Cable Detection** BIOS option determines how the IDE cable will be detected.

→ Host & Device DEFAULT	Both the motherboard onboard IDE controller and IDE disk drive are used to detect the type of IDE cable used.
→ Host	The motherboard onboard IDE controller detects the type of IDE cable used.
→ Device	The IDE disk drive to detects the type of IDE cable used.

→ **IDE Master and IDE Slave**

When entering setup, the BIOS auto detects the presence of IDE devices. The BIOS displays the status of the auto detected IDE devices. The following IDE devices are detected and are shown in the

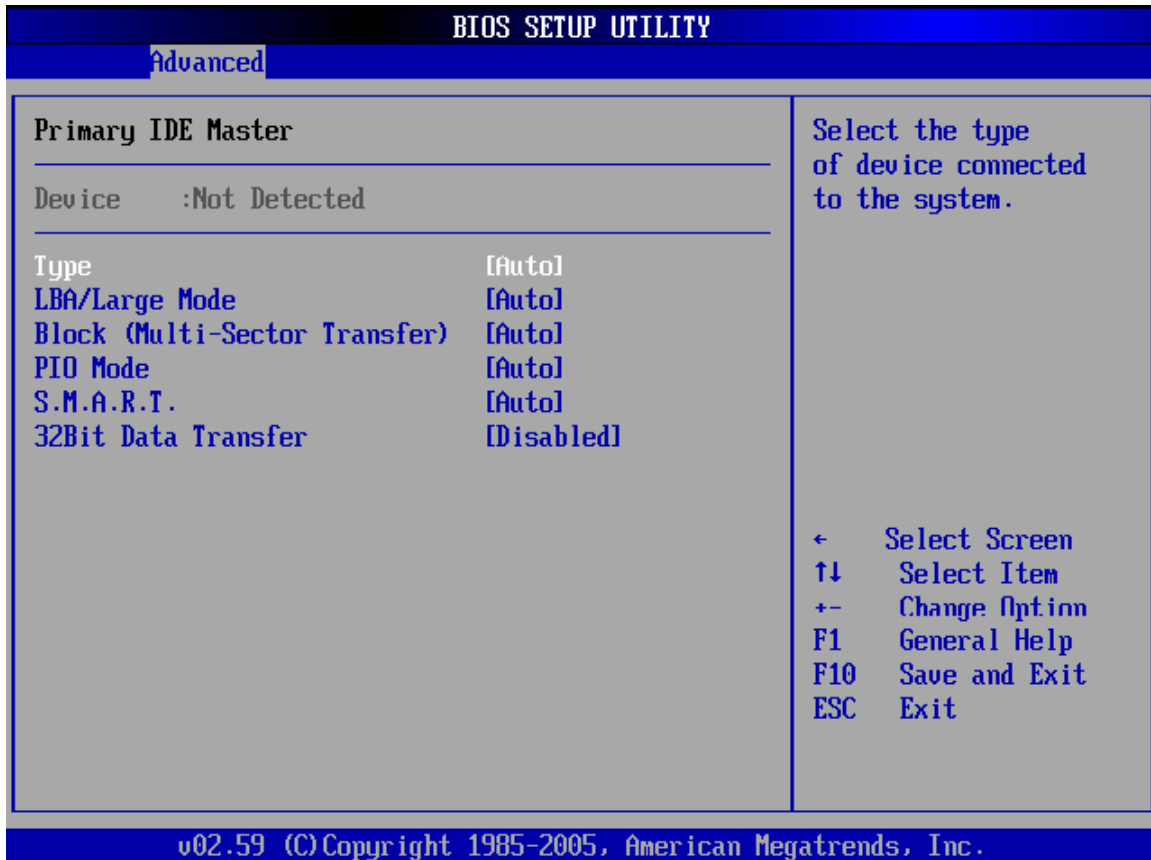
IDE Configuration menu:

- Primary IDE Master
- Primary IDE Slave
- Secondary IDE Master
- Secondary IDE Slave
- Third IDE Master
- Fourth IDE Master

The **IDE Configuration** menu (**BIOS Menu 4**) allows changes to the configurations for the IDE devices installed in the system. If an IDE device is detected and one of the above listed four BIOS configuration options are selected, the IDE configuration options shown in **Section 5.3.2.1** appear.

5.3.2.1 IDE Master, IDE Slave

Use the **IDE Master** and **IDE Slave** configuration menu to view both primary and secondary IDE device details and configure the IDE devices connected to the system.



BIOS Menu 5: IDE Master and IDE Slave Configuration

Auto-Detected Drive Parameters

The “grayed-out” items in the left frame are IDE disk drive parameters automatically detected from the firmware of the selected IDE disk drive. The drive parameters are listed as follows:

- **Device:** Lists the device type (e.g. hard disk, CD-ROM etc.)
- **Type:** Indicates the type of devices a user can manually select
- **LBA/Large Mode:** Indicates whether the LBA (Logical Block Addressing) is a method of addressing data on a disk drive is supported or not.
- **Block (Multi-Sector Transfer):** Block mode boosts IDE drive performance by increasing the amount of data transferred. Only 512 bytes of data can be transferred per interrupt if block mode is not used. Block mode allows transfers of up to 64 KB per interrupt.
- **PIO Mode:** Indicates the PIO mode of the installed device.
- **S.M.A.R.T.:** Indicates whether or not the Self-Monitoring Analysis and Reporting Technology protocol is supported.
- **32Bit Data Transfer:** Enables 32-bit data transfer.

→ **Type [Auto]**

Use the **Type** BIOS option select the type of device the AMIBIOS attempts to boot from after the Power-On Self-Test (POST) is complete.

- **Not Installed** BIOS is prevented from searching for an IDE disk drive on the specified channel.

- **Auto Default** The BIOS auto detects the IDE disk drive type attached to the specified channel. This setting should be used if an IDE hard disk drive is attached to the specified channel.

- **CD/DVD** The CD/DVD option specifies that an IDE CD-ROM drive is attached to the specified IDE channel. The BIOS does not attempt to search for other types of IDE disk drives on the specified channel.

- **ARMD** This option specifies an ATAPI Removable Media Device. These include, but are not limited to:
 - **ZIP**
 - **LS-120**

→ **LBA/Large Mode [Auto]**

Use the **LBA/Large Mode** option to disable or enable BIOS to auto detects LBA (Logical Block Addressing). LBA is a method of addressing data on a disk drive. In LBA mode, the maximum drive capacity is 137 GB.

- **Disabled** BIOS is prevented from using the LBA mode control on the specified channel.
- **Auto DEFAULT** BIOS auto detects the LBA mode control on the specified channel.

→ **Block (Multi Sector Transfer) [Auto]**

Use the **Block (Multi Sector Transfer)** to disable or enable BIOS to auto detect if the device supports multi-sector transfers.

- **Disabled** BIOS is prevented from using Multi-Sector Transfer on the specified channel. The data to and from the device occurs one sector at a time.
- **Auto DEFAULT** BIOS auto detects Multi-Sector Transfer support on the drive on the specified channel. If supported the data transfer to and from the device occurs multiple sectors at a time.

→ **PIO Mode [Auto]**

Use the **PIO Mode** option to select the IDE PIO (Programmable I/O) mode program timing cycles between the IDE drive and the programmable IDE controller. As the PIO mode increases, the cycle time decreases.

- **Auto DEFAULT** BIOS auto detects the PIO mode. Use this value if the IDE disk drive support cannot be determined.
- **0** PIO mode 0 selected with a maximum transfer rate of 3.3MBps
- **1** PIO mode 1 selected with a maximum transfer rate of 5.2MBps
- **2** PIO mode 2 selected with a maximum transfer rate of 8.3MBps
- **3** PIO mode 3 selected with a maximum transfer rate of 11.1MBps
- **4** PIO mode 4 selected with a maximum transfer rate of 16.6MBps
(This setting generally works with all hard disk drives manufactured after 1999. For other disk drives, such as IDE CD-ROM drives, check the specifications of the drive.)

→ **S.M.A.R.T [Auto]**

Use the **S.M.A.R.T** option to auto-detect, disable or enable Self-Monitoring Analysis and Reporting Technology (SMART) on the drive on the specified channel. **S.M.A.R.T** predicts impending drive failures. The **S.M.A.R.T** BIOS option enables or disables this function.

- **Auto DEFAULT** BIOS auto detects HDD SMART support.
- **Disabled** Prevents BIOS from using the HDD SMART feature.
- **Enabled** Allows BIOS to use the HDD SMART feature

→ **32Bit Data Transfer [Disabled]**

Use the **32Bit Data Transfer** BIOS option to enable or disable 32-bit data transfers.

→ **Disabled Default**

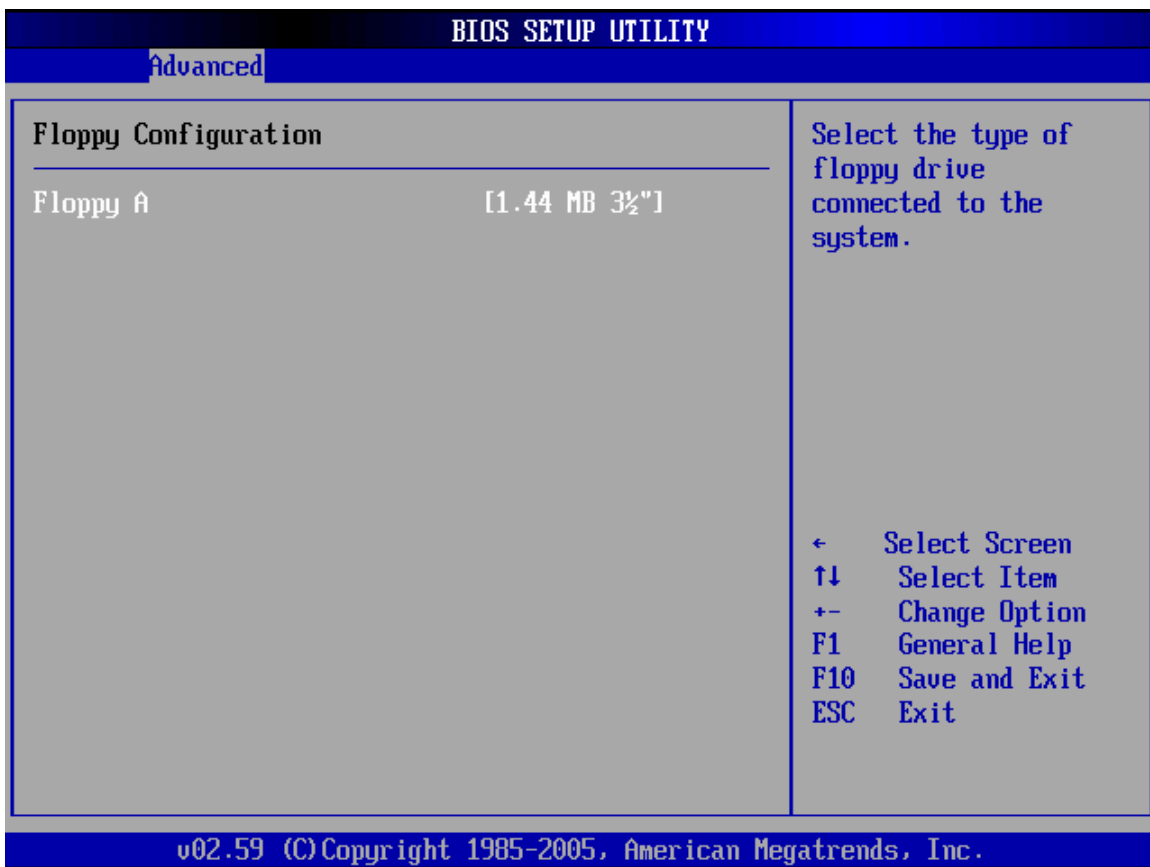
Prevents the BIOS from using 32-bit data transfers.

→ **Enabled**

Allows BIOS to use 32-bit data transfers on supported hard disk drives.

5.3.3 Floppy Configuration

Use the **Floppy Configuration** menu (**BIOS Menu 6**) to set or change the configurations for floppy disk drives.



BIOS Menu 6: Floppy Configuration

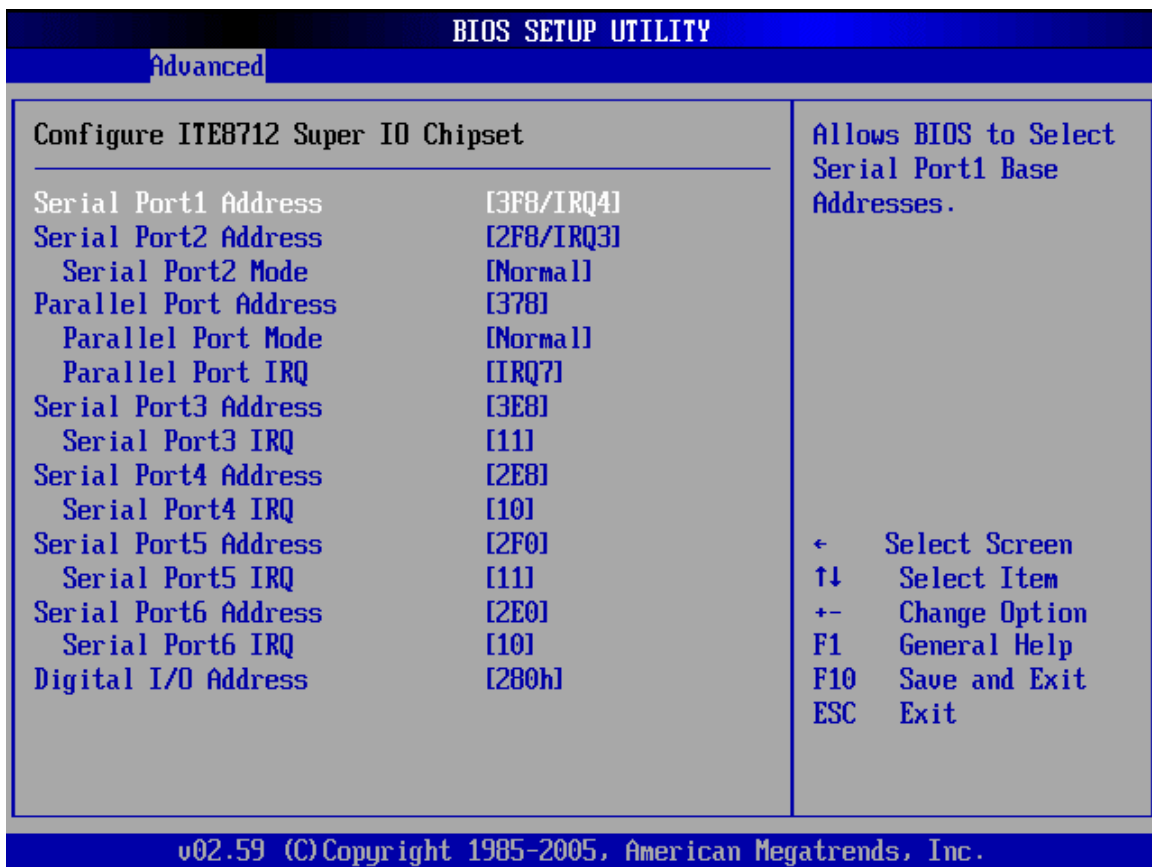
→ Floppy A [1.44 MB 3½"]

The **Floppy A** configuration option determines the types of the floppy drive installed in the system. The following configuration options are available.

- Disabled (default)
- 360 KB 5¼"
- MB 5¼"
- 720 KB 3 ½"
- 1.44 MB 3½"
- 2.88 MB 3½"

5.3.4 Super IO Configuration

Use the **Super IO Configuration** menu (**BIOS Menu 7**) to set or change the configurations for the FDD controllers, parallel ports and serial ports.



BIOS Menu 7: Super IO Configuration

→ On Board Floppy Controller [Enabled]

→ **Disabled** Allows BIOS to disable the floppy controller

→ **Enabled Default** Allows BIOS to enable the floppy controller

→ **Serial Port1 Address [3F8/IRQ4]**

Use the **Serial Port1 Address** option to select the Serial Port 1 base address.

- **Disabled** No base address is assigned to Serial Port 1
- **3F8/IRQ4
Default** Serial Port 1 I/O port address is 3F8 and the interrupt address is IRQ4
- **3E8/IRQ4** Serial Port 1 I/O port address is 3E8 and the interrupt address is IRQ4
- **2E8/IRQ3** Serial Port 1 I/O port address is 2E8 and the interrupt address is IRQ3

→ **Serial Port2 Address [2F8/IRQ3]**

Use the **Serial Port2 Address** option to select the Serial Port 2 base address.

- **Disabled** No base address is assigned to Serial Port 1
- **2F8/IRQ3
Default** Serial Port 2 I/O port address is 2F8 and the interrupt address is IRQ3
- **3E8/IRQ4** Serial Port 2 I/O port address is 3E8 and the interrupt address is IRQ4
- **2E8/IRQ3** Serial Port 2 I/O port address is 2E8 and the interrupt address is IRQ3

→ **Serial Port2 Mode [Normal]**

Use the **Serial Port2 Mode** option to select the Serial Port2 operational mode.

- **Normal
Default** Serial Port 2 mode is normal
- **IrDA** Serial Port 2 mode is IrDA
- **ASK IR** Serial Port 2 mode is ASK IR

→ **Parallel Port Address [378]**

Use the **Parallel Port Address** option to select the parallel port base address.

- **Disabled** No base address is assigned to Parallel Port.
- **378 Default** Parallel Port I/O port address is 378

- **278** Parallel Port I/O port address is 278
- **3BC** Parallel Port I/O port address is 3BC

→ Parallel Port Mode [Normal]

Use the **Parallel Port Mode** option to select the mode the parallel port operates in.

- **Normal Default** The normal parallel port mode is the standard mode for parallel port operation.
- **EPP** The parallel port operates in the enhanced parallel port mode (EPP). The EPP mode supports bi-directional communication between the system and the parallel port device and the transmission rates between the two are much faster than the Normal mode.
- **ECP** The parallel port operates in the extended capabilities port (ECP) mode. The ECP mode supports bi-directional communication between the system and the parallel port device and the transmission rates between the two are much faster than the Normal mode
- **EPP+ECP** The parallel port is also be compatible with EPP and ECP devices

→ Parallel Port IRQ [IRQ7]

Use the **Parallel Port IRQ** selection to set the parallel port interrupt address.

- **IRQ5** IRQ5 is assigned as the parallel port interrupt address
- **IRQ7 Default** IRQ7 is assigned as the parallel port interrupt address

→ Digital I/O Address [280h]

Use the **Digital I/O Address** option to select the interrupt address for digital I/O.

- **200h** Digital I/O address is 200h
- **220h** Digital I/O address is 220h
- **240h** Digital I/O address is 240h
- **260h** Digital I/O address is 260h
- **280h Default** Digital I/O address is 280h

→ **Serial Port3 Address [3E8]**

Use the **Serial Port3 Address** option to select the base addresses for serial port 3

- **Disabled** No base address is assigned to serial port 3
- **3E8 Default** Serial port 3 I/O port address is 3E8
- **2E8** Serial port 3 I/O port address is 2E8
- **2F0** Serial port 3 I/O port address is 2F0
- **2E0** Serial port 3 I/O port address is 2E0

→ **Serial Port3 IRQ [11]**

Use the **Serial Port3 IRQ** option to select the interrupt address for serial port 3.

- **4** Serial port 3 IRQ address is 4
- **9** Serial port 3 IRQ address is 9
- **10** Serial port 3 IRQ address is 10
- **11 Default** Serial port 3 IRQ address is 11

→ **Serial Port4 Address [2E8]**

Use the **Serial Port4 IRQ** option to select the interrupt address for serial port 4.

- **Disabled** No base address is assigned to serial port 4
- **3E8** Serial port 4 I/O port address is 3E8
- **2E8 Default** Serial port 4 I/O port address is 2E8
- **2F0** Serial port 4 I/O port address is 2F0
- **2E0** Serial port 4 I/O port address is 2E0

→ **Serial Port4 IRQ [10]**

Use the **Serial Port4 IRQ** option to select the interrupt address for serial port 4.

- **3** Serial port 4 IRQ address is 3
- **9** Serial port 4 IRQ address is 9
- **10 Default** Serial port 4 IRQ address is 10
- **11** Serial port 4 IRQ address is 11

→ **Serial Port5 Address [2F0]**

Use the **Serial Port5 IRQ** option to select the interrupt address for serial port 5.

- **Disabled** No base address is assigned to serial port 5
- **3E8** Serial port 5 I/O port address is 3E8
- **2E8** Serial port 5 I/O port address is 2E8
- **2F0 Default** Serial port 5 I/O port address is 2F0
- **2E0** Serial port 5 I/O port address is 2E0

→ **Serial Port5 IRQ [11]**

Use the **Serial Port5 IRQ** option to select the interrupt address for serial port 5.

- **4** Serial port 5 IRQ address is 4
- **9** Serial port 5 IRQ address is 9
- **10** Serial port 5 IRQ address is 10
- **11 Default** Serial port 5 IRQ address is 11

→ **Serial Port6 Address [2E0]**

Use the **Serial Port6 IRQ** option to select the interrupt address for serial port 6.

- **Disabled** No base address is assigned to serial port 6
- **3E8** Serial port 6 I/O port address is 3E8
- **2E8** Serial port 6 I/O port address is 2E8
- **2F0** Serial port 6 I/O port address is 2F0
- **2E0 Default** Serial port 6 I/O port address is 2E0

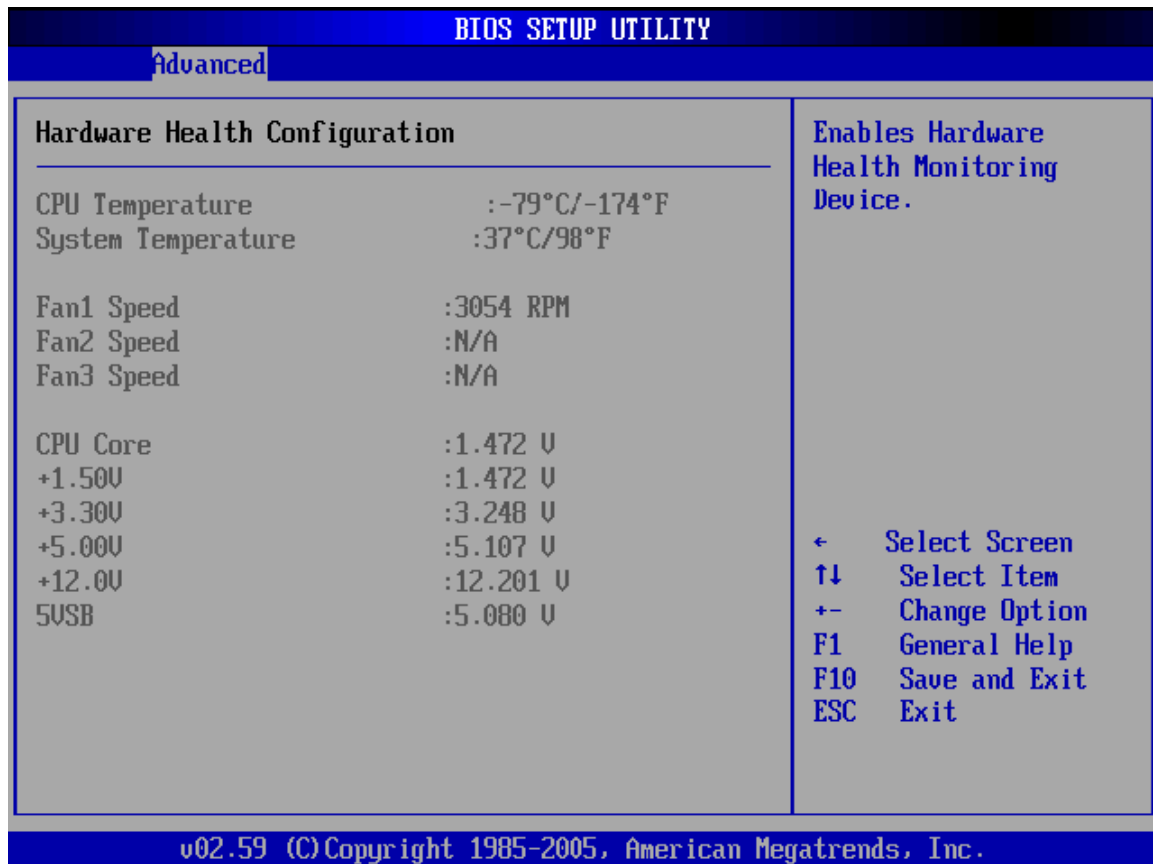
→ **Serial Port6 IRQ [10]**

Use the **Serial Port6 IRQ** option to select the interrupt address for serial port 6.

- **3** Serial port 6 IRQ address is 4
- **9** Serial port 6 IRQ address is 9
- **10 Default** Serial port 6 IRQ address is 10
- **11** Serial port 6 IRQ address is 11

5.3.5 Hardware Health Configuration

The **Hardware Health Configuration** menu (**BIOS Menu 8**) shows the operating temperature, fan speeds and system voltages.



BIOS Menu 8: Hardware Health Configuration

→ H/W Health Function [Enabled]

- **Disabled** Disables the health monitoring function
- **Enabled** Enables the health monitoring function
- Default**

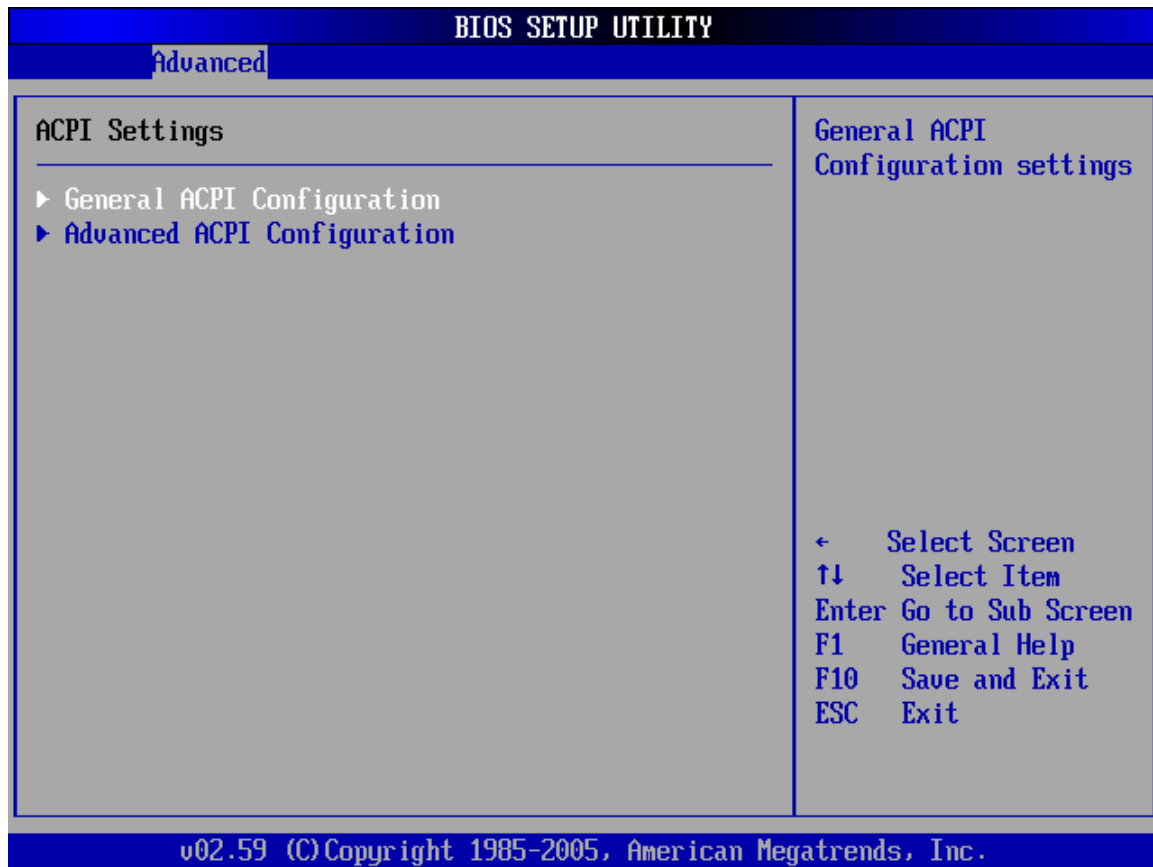
If the **H/W Health Function** is enabled different system parameters and values are shown. The system parameters that are monitored are:

- **System Temperatures:** The following system temperatures are monitored
 - CPU Temperature
 - System Temperature
- **Fan Speeds:** The CPU cooling fan speed is monitored.
 - Fan1 Speed
 - Fan2 Speed
 - Fan3 Speed

- **Voltages:** The following system voltages are monitored
 - Vcore
 - +1.50V
 - +3.30V
 - +5.00V
 - +12.0V
 - 5VSB

5.3.6 ACPI Configuration

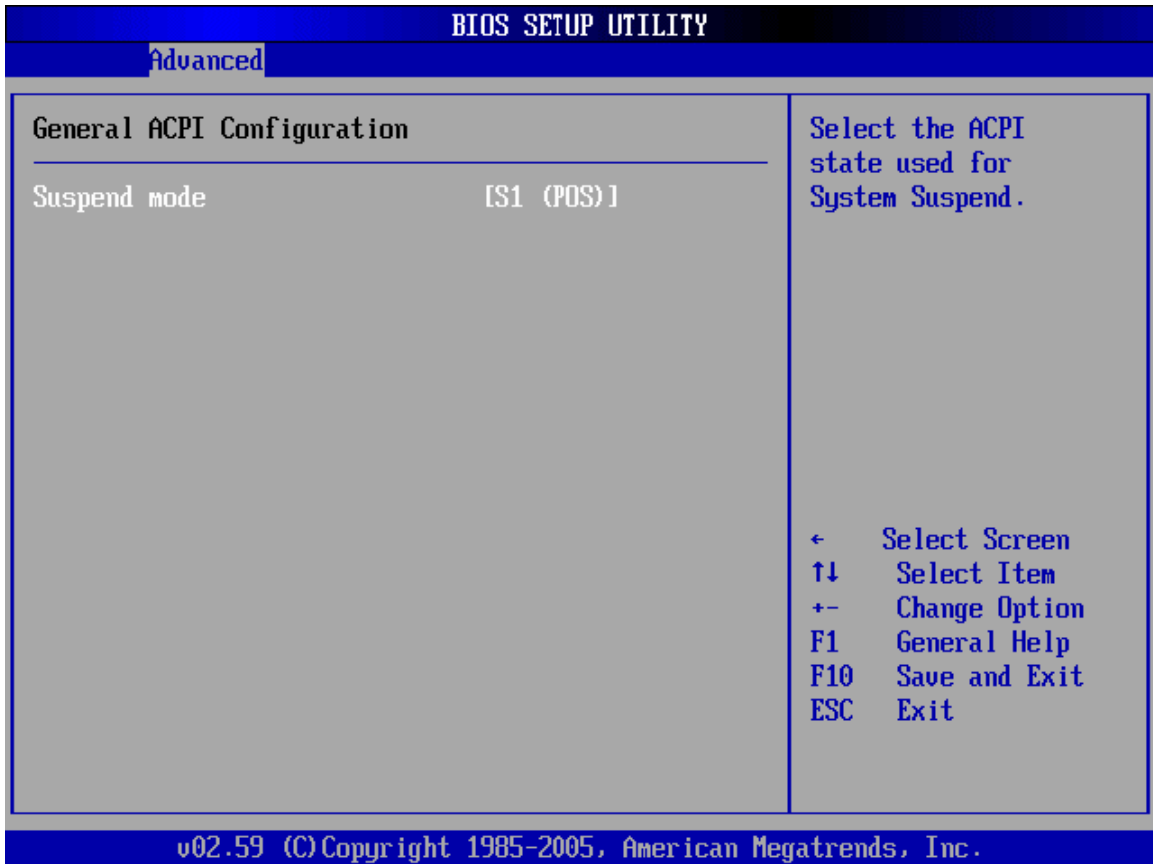
The **ACPI Configuration** menu (**BIOS Menu 9**) configures the Advanced Configuration and Power Interface (ACPI) and Power Management (APM) options.



BIOS Menu 9: ACPI Configuration

5.3.6.1 General ACPI Configuration

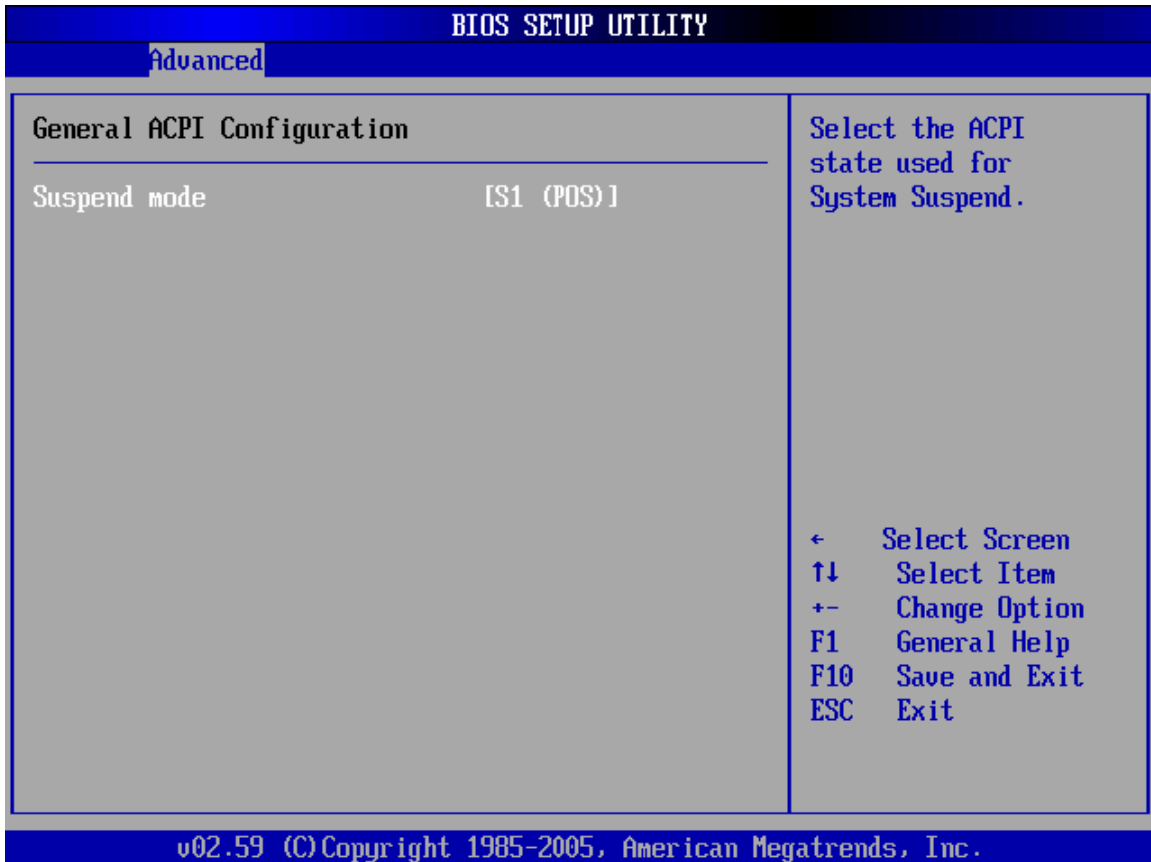
Use the **General ACPI Configuration** menu (**BIOS Menu 10**) to select the ACPI state when the system is suspended.



BIOS Menu 9: ACPI Configuration

5.3.6.1 General ACPI Configuration

Use the **General ACPI Configuration** menu (**BIOS Menu 10**) to select the ACPI state when the system is suspended.



BIOS Menu 10: General ACPI Configuration [Advanced\ ACPI Configuration]

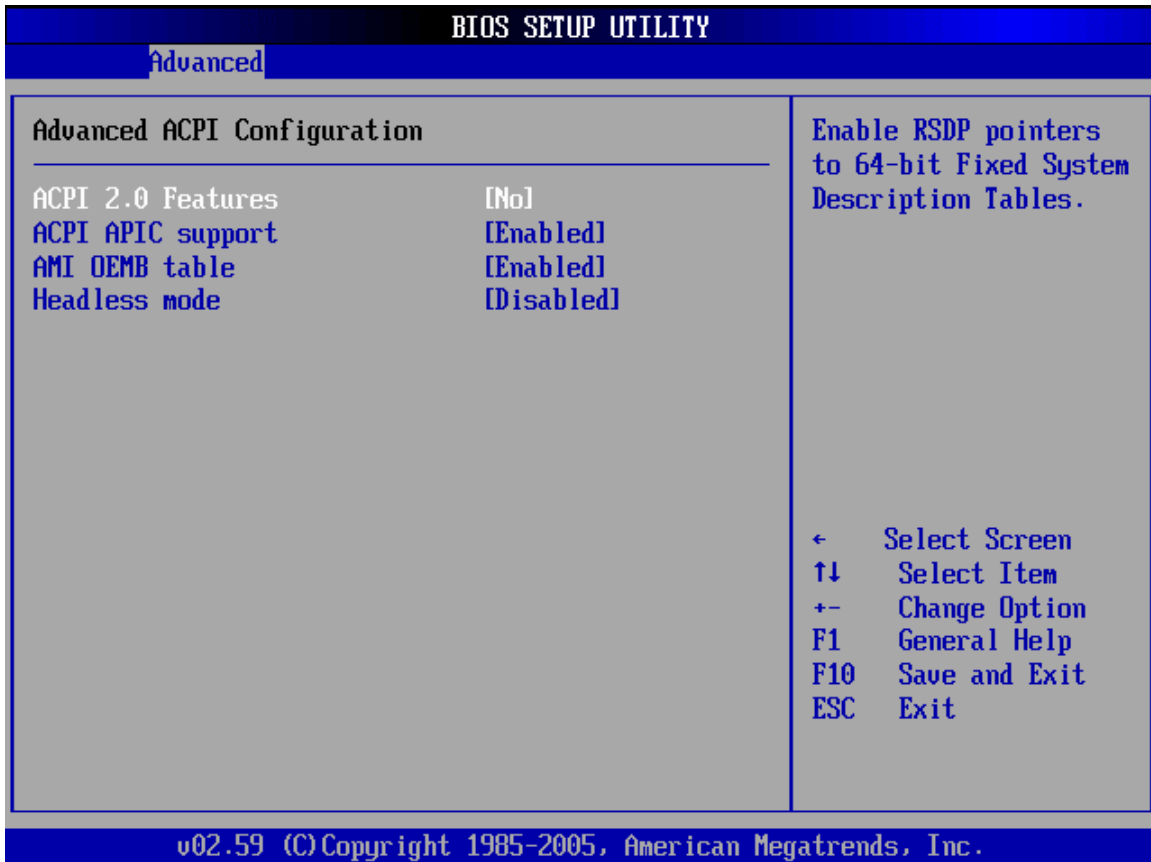
→ Suspend Mode [S1 (POS)]

Use the **Suspend Mode** option to specify the sleep state the system enters when it is not being used.

- **S1(POS)** The system enters S1(POS) sleep state. The system appears off. The CPU is stopped; RAM is refreshed; the system is running in a low power mode.

5.3.6.2 Advanced ACPI Configuration

Use the **Advanced ACPI Configuration** menu (**BIOS Menu 11**) to select the ACPI state when the system is suspended.



BIOS Menu 11: Advanced ACPI Configuration [Advanced\ ACPI Configuration]

→ **ACPI 2.0 Features [No]**

Use the **ACPI 2.0 Features** option to enable the ACPI (Advanced Configuration and Power Interface) features. By enabling this feature the system RSDP (Root System Description Pointer) is able to obtain physical addresses for other 64-bit fixed system description tables.

- **No Default** RSDP pointers to 64-bit fixed systems are not provided to the system
- **Yes** RSDP pointers to 64-bit fixed systems are provided to the system

→ **ACPI APIC Support [Enabled]**

Use the **ACPI APIC Support** option to add a pointer to an ACPI APIC table in the RSDT (Root System Description Table). The RSDT is an array of pointers that direct the system to the physical addresses of other description tables. The RSDT is the main ACPI table. The RSDP is located in low memory space of the system and provides the physical address of the RSDT. The SDT itself is identified in memory because it starts with the signature "RSDT."

- **Disabled** Pointers to the APIC table are not be provided in the RSDT

→ **Enabled Default** Pointers to the APIC table are provided in the RSDT

→ **APIC ACPI SCI IRQ [Disabled]**

Use **APIC ACPI SCI IRQ** option to enable the system to send a flag report to the ACPI OS if a SCI IRQ interrupt event is made via the APIC.

→ **Disabled Default** No flag report is sent to the ACPI OS when there is a "SCI IRQ" interrupt event.

→ **Enabled** Flag report is sent to the ACPI OS when there is a "SCI IRQ" interrupt event is made via the APIC.

→ **AMI OEMB table [Enabled]**

Use the **AMI OEMB table** option to add a pointer to an OEMB table in the RSDT table and the Extended System Description Table (XSDT), which accommodates physical addresses of description headers that are larger than 32-bits. Notice that both the XSDT and the RSDT can be pointed to by the RSDP structure.

→ **Disabled** Pointers to the AMI OEMB table are not provided in the RSDT and the XSDT

→ **Enabled Default** Pointers to the AMI OEMB table are provided in the RSDT and the XSDT

→ **Headless Mode [Disabled]**

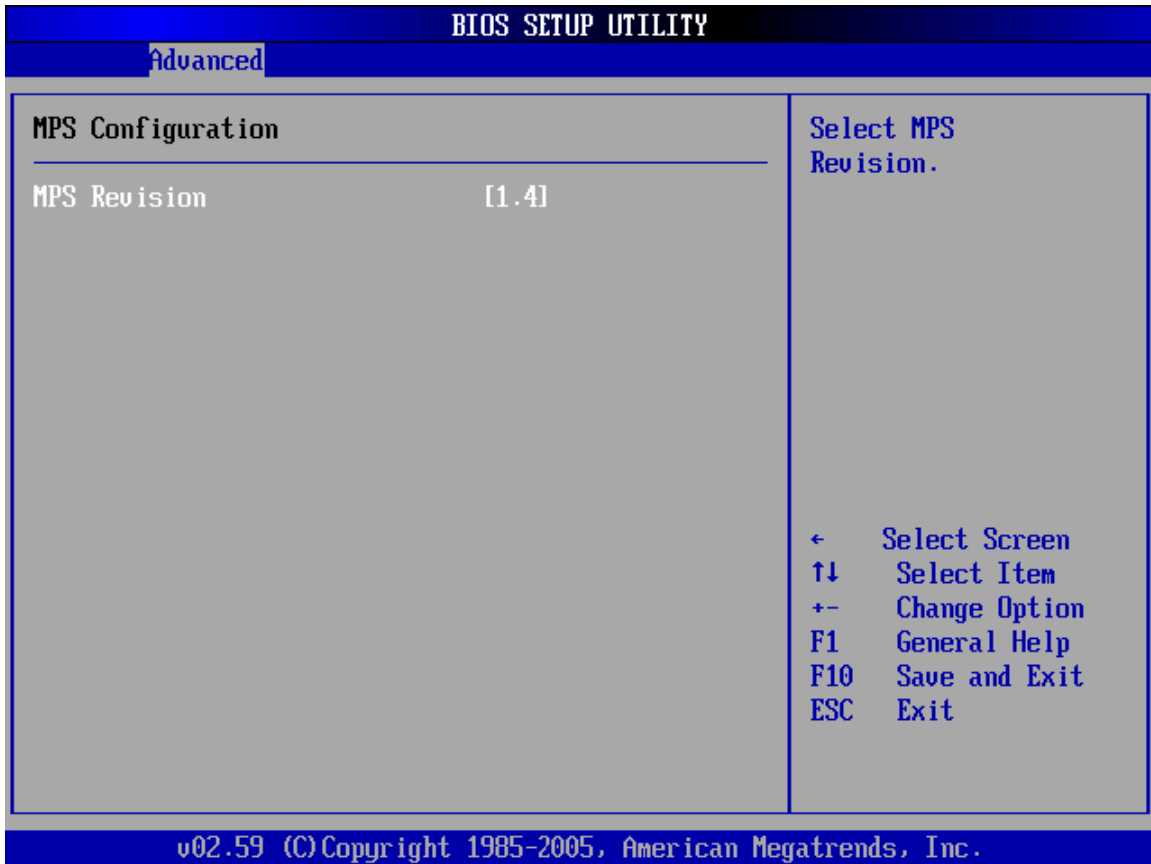
Use the **Headless Mode** option to update the ACPI FACP (Fixed ACPI Description Table) to indicate headless operations, i.e. a computer without a monitor, keyboard and mouse.

→ **Disabled Default** The FACP is not updated to indicate headless mode

→ **Enabled** The FACP is updated to indicate headless mode

5.3.7 MPS Configuration

Use the **MPS Configuration** menu (**BIOS Menu 12**) to select the multi-processor table.



BIOS Menu 12: MPS Configuration

→ MPS Revision [1.4]

Use the **Multiprocessor Specification (MPS) for OS** option to specify the MPS version to be used.

- 1.1 MSP version 1.1 is used
- 1.4 Default MSP version 1.4 is used

5.3.8 Remote Access Configuration

Use the **Remote Access Configuration** menu to configure remote access parameters. The **Remote Access Configuration** is an AMIBIOS feature and allows a remote host running a terminal program to display and configure the BIOS settings.

→ Remote Access [Disabled]

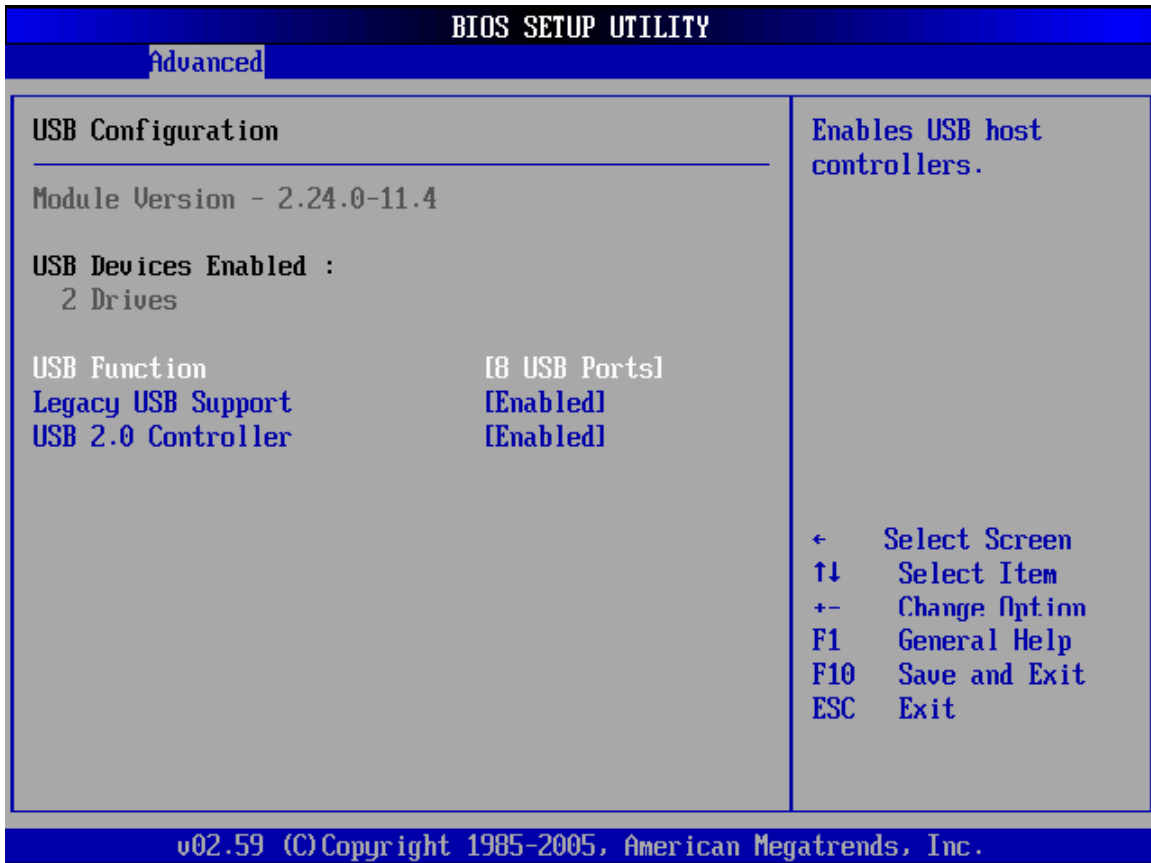
- **Disabled Default** Remote access is disabled.
- **Enabled** Remote access configuration options shown below appear:

- Serial port Number
- Serial port Mode
- Flow Control
- Redirection after BIOS POST
- Terminal Type
- VT-UTF8 Combo Key Support

These configuration options are discussed below.

5.3.9 USB Configuration

Use the **USB Configuration** menu (**BIOS Menu 13**) to read USB configuration information and configure the USB settings.



BIOS Menu 13: USB Configuration

- USB Configuration

The **USB Configuration** field shows the system USB configuration. The items listed are:

- Module Version: x.xxxxx.xxxxx

→ **USB Devices Enabled**

The **USB Devices Enabled** field lists the USB devices that are enabled on the system

→ **USB Function [8 USB Ports]**

Use the **USB Function** BIOS option to select USB function support.

- **Disabled** USB function support disabled
- **2 USB Ports** USB function support two USB ports
- **4 USB Ports** USB function support four USB ports
- **6 USB Ports** USB function support six USB ports
- **8 USB Ports** USB function support eight USB ports
DEFAULT

→ **Legacy USB Support [Disabled]**

Use the **Legacy USB Support** BIOS option to enable USB mouse and USB keyboard support. Normally if this option is not enabled, any attached USB mouse or USB keyboard does not become available until a USB compatible operating system is fully booted with all USB drivers loaded. When this option is enabled, any attached USB mouse or USB keyboard can control the system even when there is no USB driver loaded onto the system.

- **Disabled** Legacy USB support disabled
Default
- **Enabled** Legacy USB support enabled
- **Auto** Legacy USB support disabled if no USB devices are connected

USB 2.0 Controller [Enabled]

Use the **USB 2.0 Controller** BIOS option to enable or disable the USB 2.0 controller

- **Enabled** USB 2.0 support enabled
Default
- **Disabled** USB 2.0 support disabled

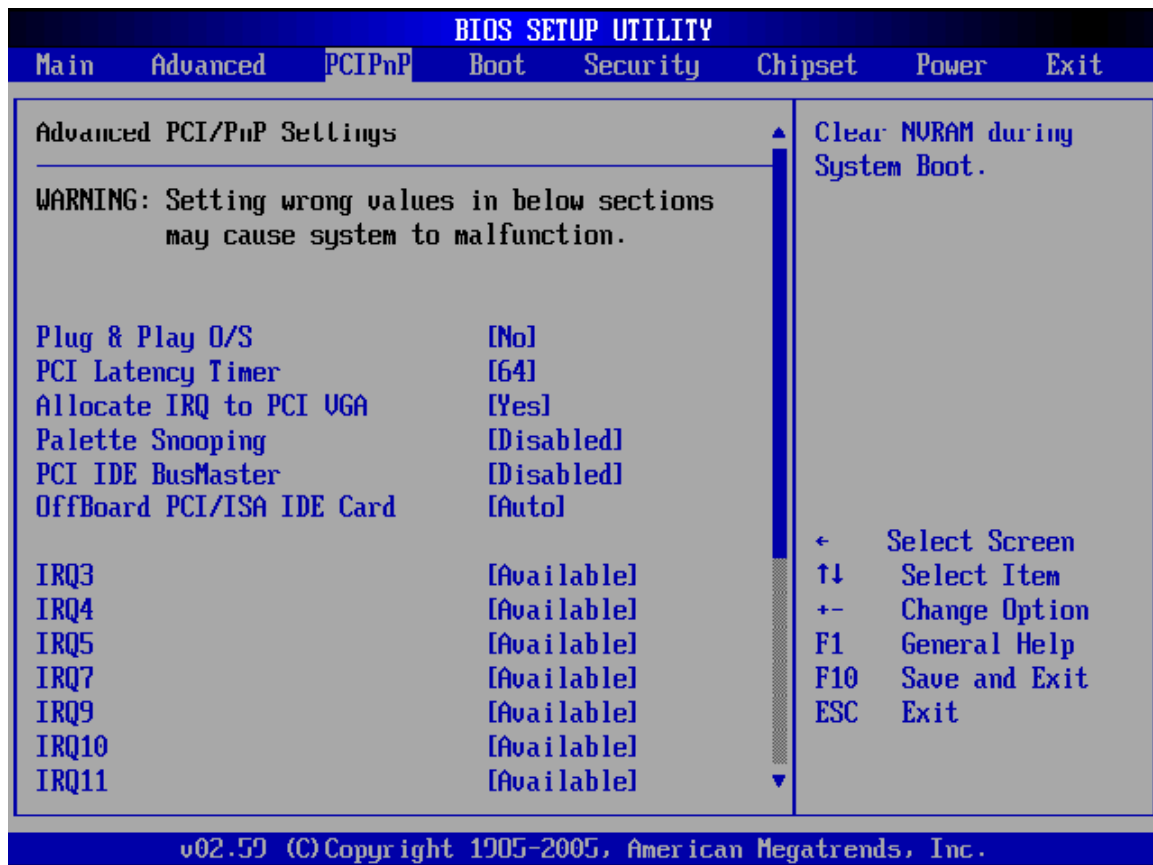
5.4 PCI/PnP

Use the **PCI/PnP** menu (**BIOS Menu 14**) to configure advanced PCI and PnP settings.



WARNING!

Setting wrong values for the BIOS selections in the PCIPnP BIOS menu may cause the system to malfunction.



BIOS Menu 14: PCI/PnP Configuration

→ Plug & Play O/S [No]

Use the **Plug & Play O/S** BIOS option to specify whether system plug and play devices are configured by the operating system or the BIOS.

- **No Default** If the operating system does not meet the Plug and Play specifications, this option allows the BIOS to configure all the devices in the system.
- **Yes** This setting allows the operating system to change the interrupt, I/O, and DMA settings. Set this option if the

system is running Plug and Play aware operating systems.

- **PCI Latency Timer [64]** Use the **PCI Latency Timer** option to specify the PCI latency time. The latency time is measured in units of PCI clock cycles for the PCI device latency timer register. Configuration options are:
- 32
 - 64 **DEFAULT**
 - 96
 - 128
 - 160
 - 192
 - 224
 - 248

→ **Allocate IRQ to PCI VGA [Yes]**

Use the **Allocate IRQ to PCI VGA** option to restrict the system from giving the VGA adapter card an interrupt address.

- **Yes Default** Assigns an IRQ to a PCI VGA card if card requests IRQ
- **No** Does not assign IRQ to a PCI VGA card even if the card requests an IRQ

→ **Palette Snooping [Disabled]**

Use the **Palette Snooping** option to enable or disable the palette snooping function.

- **Disabled Default** Unless the VGA card manufacturer requires palette snooping to be enabled, this option should be disabled.
- **No** PCI devices are informed that an ISA based Graphics device is installed in the system so the ISA based Graphics card functions correctly. This does not necessarily indicate a physical ISA adapter card. The graphics chipset can be mounted on a PCI card. Always check with the adapter card manual first, before modifying the default settings in the BIOS.

→ **PCI IDE BusMaster [Disabled]**

Use the **PCI IDE BusMaster** BIOS option to enable or prevent PCI IDE busmastering.

- **Disabled Default** Busmastering is prevented
- **Enabled** IDE controller on the PCI local bus has mastering capabilities

→ OffBoard PCI/ISA IDE Card [Auto]

Use the **OffBoard PCI/ISA IDE Card** BIOS option to select the **OffBoard PCI/ISA IDE Card**.

- | | |
|-----------------------|--|
| → Auto Default | The location of the Off Board PCI IDE adapter card is automatically detected by the AMIBIOS. |
| → PCI Slot 1 | PCI Slot 1 is selected as the location of the OffBoard PCI IDE adapter card. Only select this slot if the adapter card is installed in PCI Slot 1. |
| → PCI Slot 2 | PCI Slot 2 is selected as the location of the OffBoard PCI IDE adapter card. Only select this slot if the adapter card is installed in PCI Slot 2. |
| → PCI Slot 3 | PCI Slot 3 is selected as the location of the OffBoard PCI IDE adapter card. Only select this slot if the adapter card is installed in PCI Slot 3. |
| → PCI Slot 4 | PCI Slot 4 is selected as the location of the OffBoard PCI IDE adapter card. Only select this slot if the adapter card is installed in PCI Slot 4. |
| → PCI Slot 5 | PCI Slot 5 is selected as the location of the OffBoard PCI IDE adapter card. Only select this slot if the adapter card is installed in PCI Slot 5. |
| → PCI Slot 6 | PCI Slot 6 is selected as the location of the OffBoard PCI IDE adapter card. Only select this slot if the adapter card is installed in PCI Slot 6. |

→ IRQ# [Available]

Use the **IRQ#** address to specify what IRQs can be assigned to a particular peripheral device.

- | | |
|----------------------------|--|
| → Available DEFAULT | The specified IRQ is available to be used by PCI/PnP devices |
| → Reserved | The specified IRQ is reserved for use by Legacy ISA devices |

Available IRQ addresses are:

- IRQ3
- IRQ4
- IRQ5
- IRQ7
- IRQ9
- IRQ10
- IRQ 11
- IRQ 14
- IRQ 15

→ **DMA Channel# [Available]**

Use the **DMA Channel#** option to assign a specific DMA channel to a particular PCI/PnP device.

- **Available**
DEFAULT The specified DMA is available to be used by PCI/PnP devices
- **Reserved** The specified DMA is reserved for use by Legacy ISA devices

Available DMA Channels are:

- DM Channel 0
- DM Channel 1
- DM Channel 3
- DM Channel 5
- DM Channel 6
- DM Channel 7

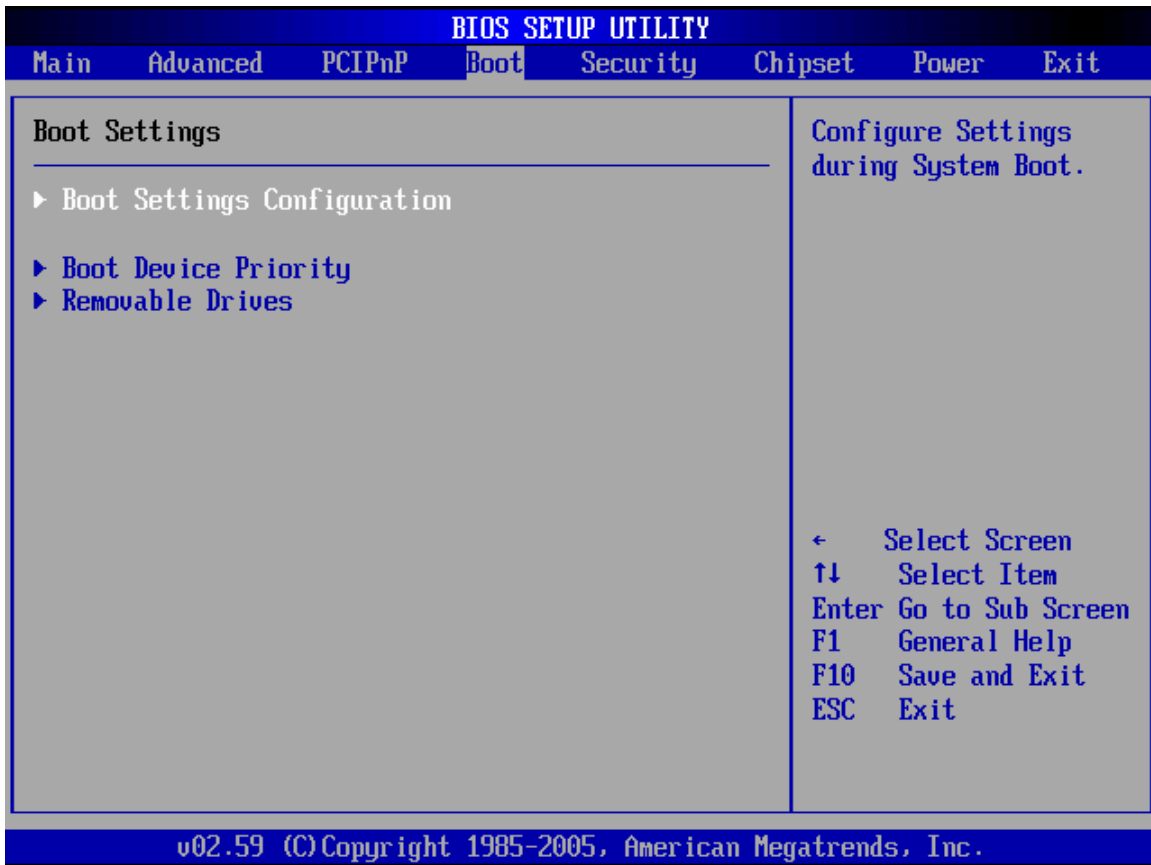
Reserved Memory Size [Disabled]

Use the **Reserved Memory Size** BIOS option to specify the amount of memory that should be reserved for legacy ISA devices.

- **Disabled**
DEFAULT No memory block reserved for legacy ISA devices
- **16K** 16KB reserved for legacy ISA devices
- **32K** 32KB reserved for legacy ISA devices
- **64K** 64KB reserved for legacy ISA devices

5.5 Boot

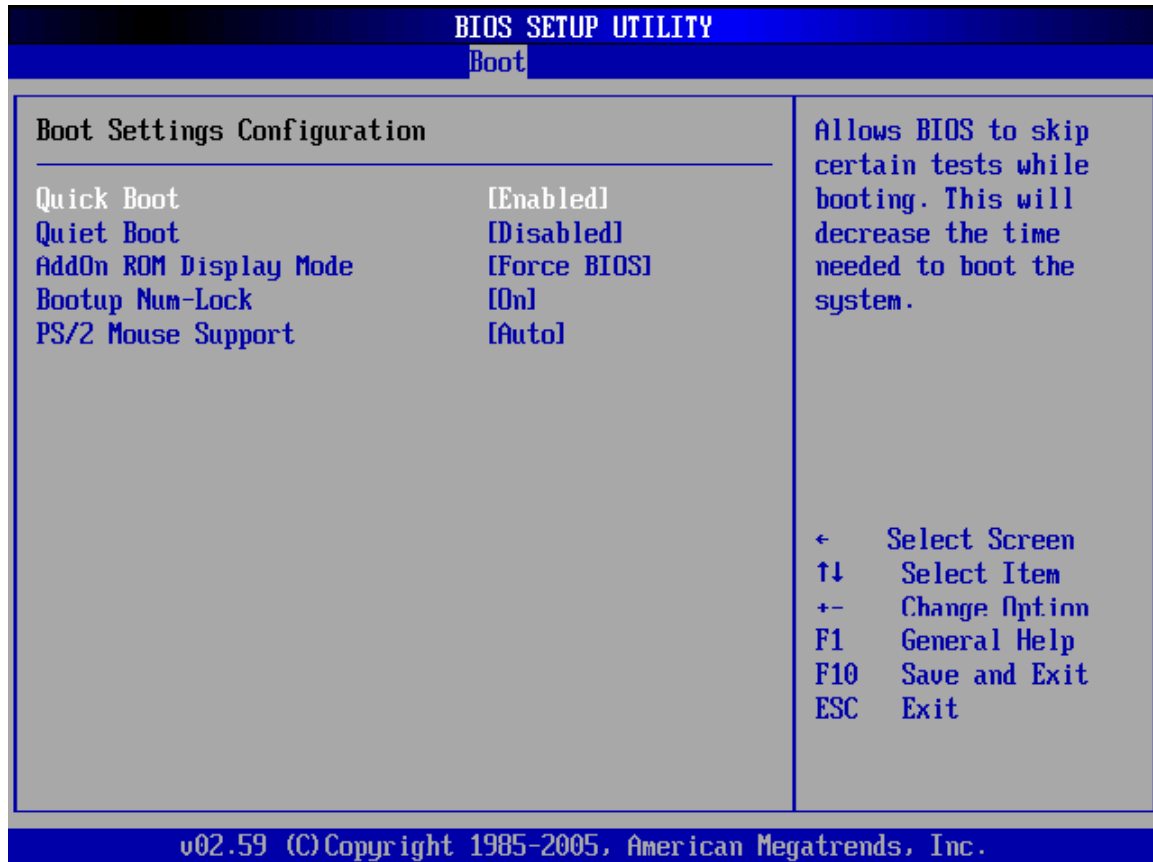
Use the **Boot** menu (**BIOS Menu 15**) to configure system boot options.



BIOS Menu 15: Boot

5.5.1 Boot Settings Configuration

Use the **Boot Settings Configuration** menu (**BIOS Menu 16**) to configure advanced system boot options.



BIOS Menu 16: Boot Settings Configuration

→ Quick Boot [Enabled]

Use the **Quick Boot** BIOS option to make the computer speed up the boot process.

- **Disabled** No POST procedures are skipped
- **Enabled Default** Some POST procedures are skipped to decrease the system boot time

Quiet Boot [Disabled]

Use the **Quiet Boot** BIOS option to select the screen display when the system boots.

- **Disabled Default** Normal POST messages displayed
- **Enabled** OEM Logo displayed instead of POST messages

→ AddOn ROM Display Mode [Force BIOS]

Use the **AddOn ROM Display Mode** option to allow add-on ROM (read-only memory) messages to be displayed.

- **Force BIOS DEFAULT** The system forces third party BIOS to display during system boot.
- **Keep Current** The system displays normal information during system boot.

→ Bootup Num-Lock [On]

Use the **Bootup Num-Lock** BIOS option to specify if the number lock setting must be modified during boot up.

- **Off** Does not enable the keyboard Number Lock automatically. To use the 10-keys on the keyboard, press the Number Lock key located on the upper left-hand corner of the 10-key pad. The Number Lock LED on the keyboard lights up when the Number Lock is engaged.
- **On DEFAULT** Allows the Number Lock on the keyboard to be enabled automatically when the computer system boots up. This allows the immediate use of the 10-key numeric keypad located on the right side of the keyboard. To confirm this, the Number Lock LED light on the keyboard is lit.

PS/2 Mouse Support [Auto]

Use the **PS/2 Mouse Support** option adjusts PS/2 mouse support capabilities.

- **Disabled** PS/2 mouse support is disabled and prevented from using system resources.
- **Enabled** Allows the system to use a PS/2 mouse.
- **Auto Default** The system auto-adjusts PS/2 mouse support.

5.5.2 Boot Device Priority

Use the **Boot Device Priority** menu (**BIOS Menu 17**) to specify the boot sequence from the available devices. Possible boot devices may include:

- 1st FLOPPY DRIVE
- HDD
- CD/DVD

BIOS SETUP UTILITY	
Boot	
<p>Boot Device Priority</p> <hr/> <p>1st Boot Device [USB:Kingston DataI]</p>	<p>Specifies the boot sequence from the available devices.</p> <p>A device enclosed in parenthesis has been disabled in the corresponding type menu.</p> <p>← Select Screen ↑↓ Select Item +- Change Option F1 General Help F10 Save and Exit ESC Exit</p>
v02.59 (C) Copyright 1985-2005, American Megatrends, Inc.	

BIOS Menu 17: Boot Device Priority Setting

5.5.3 Removable Drives

Use the **Removable Drives** menu (**BIOS Menu 18**) to specify the boot sequence of the available FDDs. When the menu is opened, the FDDs connected to the system are listed as shown below:

- 1st Drive [1st FLOPPY DRIVE]



NOTE:

Only the drives connected to the system are shown. For example, if only one FDD is connected only “**1st Drive**” is listed.

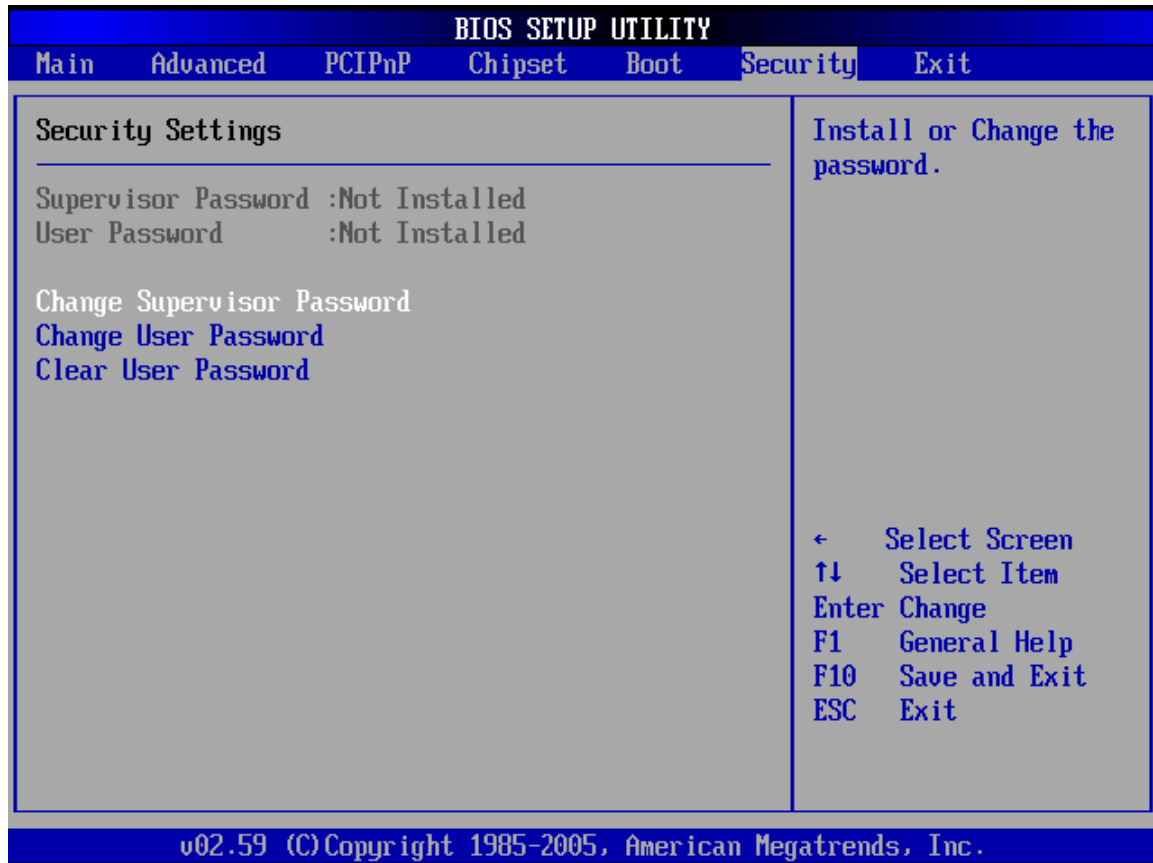
The boot sequence from the available devices is selected. If the “**1st Drive**” option is selected a list of available FDDs is shown. Select the first FDD the system boots from. If the “**1st Drive**” is not used for booting this option may be disabled.



BIOS Menu 18: Removable Drives

5.6 Security

Use the **Security** menu (**BIOS Menu 19**) to set system and user passwords.



BIOS Menu 19: Security

→ Change Supervisor Password

Use the **Change Supervisor Password** to set or change a supervisor password. The default for this option is **Not Installed**. If a supervisor password must be installed, select this field and enter the password. After the password has been added, **Install** appears next to **Change Supervisor Password**.

→ Change User Password

Use the **Change User Password** to set or change a user password. The default for this option is **Not Installed**. If a user password must be installed, select this field and enter the password. After the password has been added, **Install** appears next to **Change User Password**.

5.7 Chipset

Use the **Chipset** menu (**BIOS Menu 20**) to access the NorthBridge and SouthBridge configuration menus



WARNING!

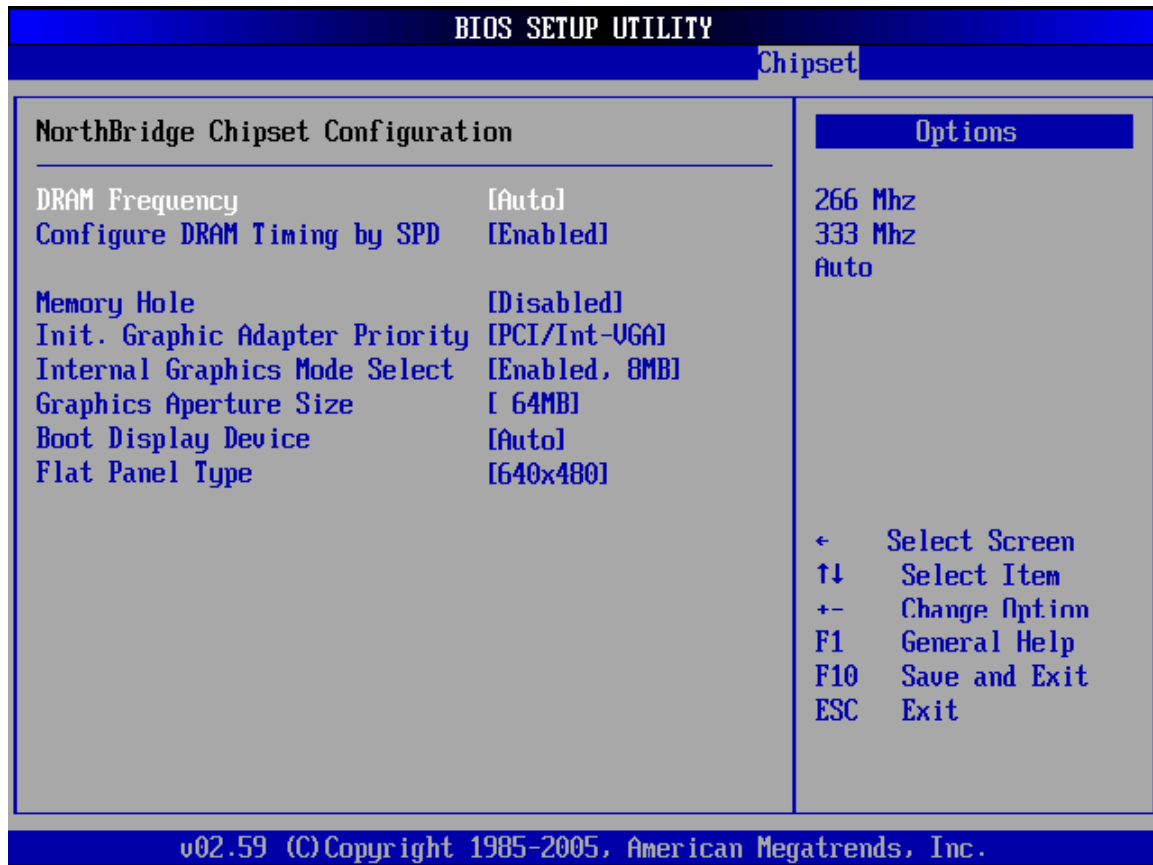
Setting the wrong values for the Chipset BIOS selections in the Chipset BIOS menu may cause the system to malfunction.

BIOS SETUP UTILITY							
Main	Advanced	PCIPnP	Boot	Security	Chipset	Power	Exit
Advanced Chipset Settings					Options for NB		
WARNING: Setting wrong values in below sections may cause system to malfunction.							
▶ NorthBridge Configuration							
▶ SouthBridge Configuration							
					← Select Screen		
					↑↓ Select Item		
					Enter Go to Sub Screen		
					F1 General Help		
					F10 Save and Exit		
					ESC Exit		
v02.59 (C) Copyright 1985-2005, American Megatrends, Inc.							

BIOS Menu 20: Chipset

5.7.1 NorthBridge Configuration

Use the **NorthBridge Configuration** menu (**BIOS Menu 21**) to configure the northbridge chipset.



BIOS Menu 21: NorthBridge Chipset Configuration

→ DRAM Frequency [Auto]

Use the **DRAM Frequency** option to specify the DRAM frequency or allow the system to automatically detect the DRAM frequency.

- **200MHz** Sets the DRAM frequency to 200MHz
- **266MHz** Sets the DRAM frequency to 266MHz
- **333MHz** Sets the DRAM frequency to 333MHz
- **Auto Default** Sets the DRAM frequency to 200MHz

→ **Configure DRAM Timing by SPD [Enabled]**

Use the **Configure DRAM Timing by SPD** option to determine if the system uses the SPD (Serial Presence Detect) EEPROM to configure the DRAM timing. The SPD EEPROM contains all necessary DIMM specifications including the speed of the individual components such as CAS and bank cycle time as well as valid settings for the module and the manufacturer's code. The SPD enables the BIOS to read the spec sheet of the DIMMs on boot-up and then adjust the memory timing parameters accordingly.

- **Disabled** DRAM timing parameters are manually set using the DRAM sub-items
- **Enabled Default** DRAM timing parameter are set according to the DRAM Serial Presence Detect (SPD)

If the **Configure DRAM Timing by SPD** option is disabled, the following configuration options appear.

- DRAM CAS# Latency [3]
- DRAM RAS# to CAS# Delay [5 DRAM Clocks]
- DRAM RAS# Precharge [5 DRAM Clocks]
- DRAM RAS# Activate to Precharge [15 DRAM Clocks]

→ **Memory Hole [Disabled]**

Use the **Memory Hole** option to reserve memory space between 15MB and 16MB for ISA expansion cards that require a specified area of memory to work properly. If an older ISA expansion card is used, please refer to the documentation that came with the card to see if it is necessary to reserve the space.

- **Disabled Default** Memory is not reserved for ISA expansion cards
- **15MB – 16MB** Between 15MB and 16MB of memory is reserved for ISA expansion cards

→ **Init. Graphic Adapter Priority [PCI/Int-VGA]**

The **Init. Graphic Adapter Priority** option selects the graphics controller the system uses as a primary boot device. The options are:

- Internal VGA
- PCI/Int-VGA **DEFAULT**

→ **Internal Graphics Mode Select [Enable, 8MB]**

Use the **Internal Graphics Mode Select** option to specify the amount of system memory that can be used by the Internal graphics device.

- **Disabled** 1MB of memory used by internal graphics device
- **Enable, 1MB** 1MB of memory used by internal graphics device
- **Enable, 4MB** 4MB of memory used by internal graphics device

- **Enable, 8MB** 8MB of memory used by internal graphics device
- **Enable, 16MB** 16MB of memory used by internal graphics device
- **Enable, 32MB** 32MB of memory used by internal graphics device

→ **Graphics Aperture Size [64MB]**

The **Graphics Aperture Size** option selects the size of the AGP aperture. The aperture is a portion of the PCI memory address range dedicated as graphics memory address space.

- **64MB Default** Graphics aperture size set as 64MB
- **128MB** Graphics aperture size set as 128MB

→ **Boot Display Device [CRT+LFP]**

Use the **Boot Display Device** option to select the display device used by the system when it boots. Configuration options are listed below.

- CRT
- LFP
- CRT+LFP **DEFAULT**

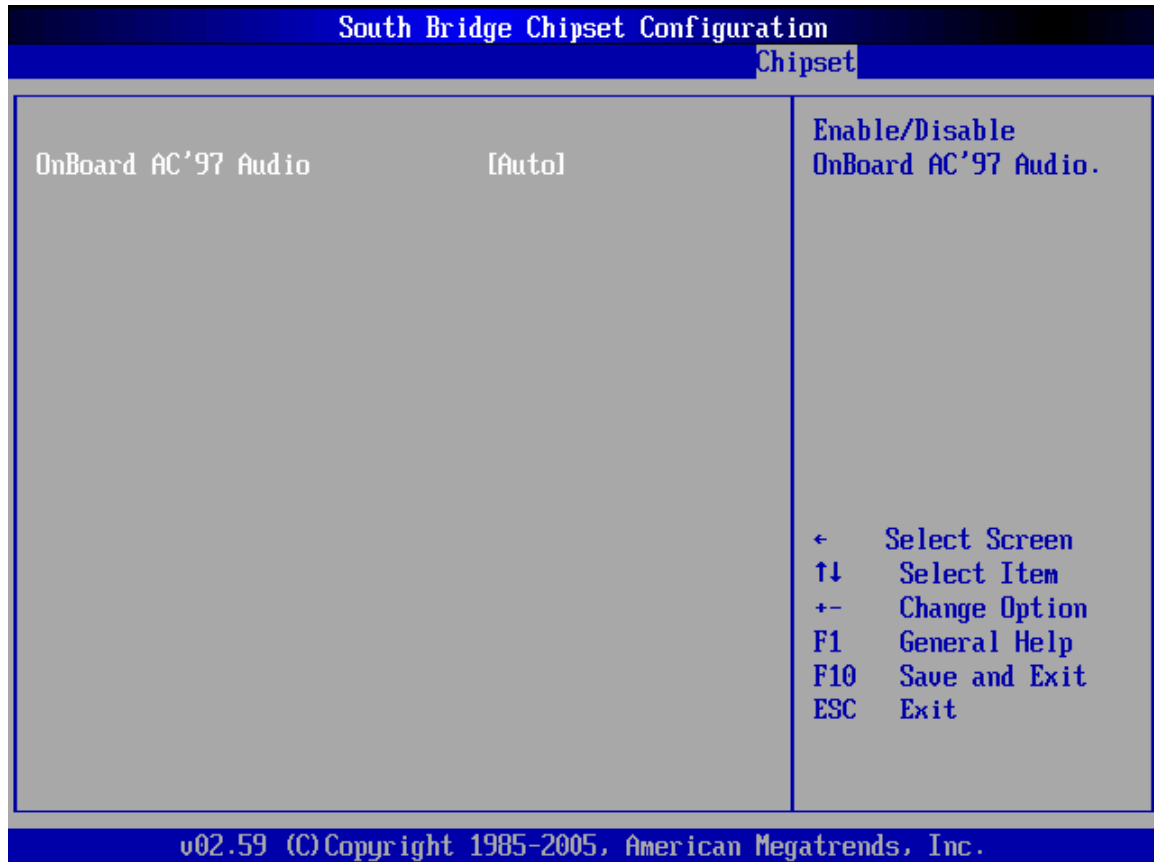
Flat Panel Type [640x480]

Use the **Flat Panel Type** option to select the type of flat panel connected to the system. Configuration options are listed below.

- 640x480 **DEFAULT**
- 800x600
- 1024x768 24bits
- 1280x1024
- 1400x1050
- 1024x768 18bits
- 1600x1200 48bits
- 800x600 24bits
- 800x600 18bits
- 1024x768 36bits

5.7.2 SouthBridge Configuration

The **SouthBridge Configuration** menu (**BIOS Menu 22**) the southbridge chipset to be configured.



BIOS Menu 22: SouthBridge Chipset Configuration

→ OnBoard AC97 Audio [Auto]

Use the **OnBoard AC97 Audio** option to enable or disable the AC'97 CODEC.

- **Auto Default** The onboard AC'97 automatically detected and enabled
- **Disabled** The onboard AC'97 is disabled

5.8 Power

The **Power** menu (**BIOS Menu 23**) allows the advanced power management options to be configured.



BIOS Menu 23: Power

Power Management/APM [Enabled]

→ Use the **Power Management/APM** BIOS option to enable access to the advanced power management features. If this option is disabled, the only other option on the screen is the **Power Button Mode**.

→ **Disabled** Disables the Advanced Power Management (APM) feature

→ **Enabled Default** Enables the APM feature

→ Video Power Down Mode [Suspend]

The **Video Power Down Mode** BIOS option specifies in what system mode the video device can be turned off.

- **Disabled** The Video cannot be turned off in the Suspend or Standby mode
- **Standby** The video can be turned off in the Standby mode
- **Suspend Default** The video can be turned off in the Suspend mode

Hard Disk Power Down Mode [Suspend]

The **Hard Disk Power Down Mode** BIOS specifies in what system mode the hard disk device can be turned off.

- **Disabled** The hard disk cannot be turned off in the Suspend or Standby mode
- **Standby** The hard disk can be turned off in the Standby mode
- **Suspend Default** The hard disk can be turned off in the Suspend mode

→ **Standby Time Out [Disabled]**

The **Power Management/APM** option must be enabled in order to change this configuration option. The **Standby Time Out** option specifies what length of time without activity on certain components will place those components in a standby state. The options are:

- Disabled **DEFAULT**
- 1 Min
- Min
- Min
- 8 Min
- 10 Min
- 20 Min
- 30 Min
- 40 Min
- 50 Min
- 60 Min

→ **Suspend Time Out [Disabled]**

The **Suspend Time Out** option specifies what length of time without activity on certain components will place those components in a suspended state. The options are listed below:

- Disabled **DEFAULT**

- 1 Min
- Min
- Min
- 8 Min
- 10 Min
- 20 Min
- 30 Min
- 40 Min
- 50 Min
- 60 Min

→ **Power Button Mode [On/Off]**

Use the **Power Button Mode** BIOS to specify how the power button functions.

- **On/Off Default** When the power button is pressed the system is either turned on or off
- **Suspend** When the power button is pressed the system goes into suspend mode

→ **Restore on AC Power Loss [Last State]**

Use the **Restore on AC Power Loss** option to specify what state the system returns to if there is a sudden loss of power to the system.

- **Power Off** When the power button is pressed the system is either turned on or off
- **Power On** When the power button is pressed the system goes into suspend mode
- **Last State Default** The system returns to its previous state. If it was on, it turns itself on. If it was off, it remains off.

→ **Resume on Ring/LAN [Disabled]**

The **Resume on Ring/LAN** BIOS option specifies if the system will be roused from a suspended or standby state when there is activity on the RI (ring in) modem line. That is, the system will be roused by an incoming call on a modem.

- **Disabled Default** Wake event not generated by an incoming call
- **Enabled** Wake event generated by an incoming call

→ **Resume on PME# [Disabled]**

The **Resume on PME#** BIOS option specifies if the system will be roused from a suspended or standby state when there is activity on the PCI PME (power management event) controller.

- **Disabled Default** Wake event not generated by PCI PME controller activity
- **Enabled** Wake event generated by PCI PME controller activity

Resume On RTC Alarm [Disabled]

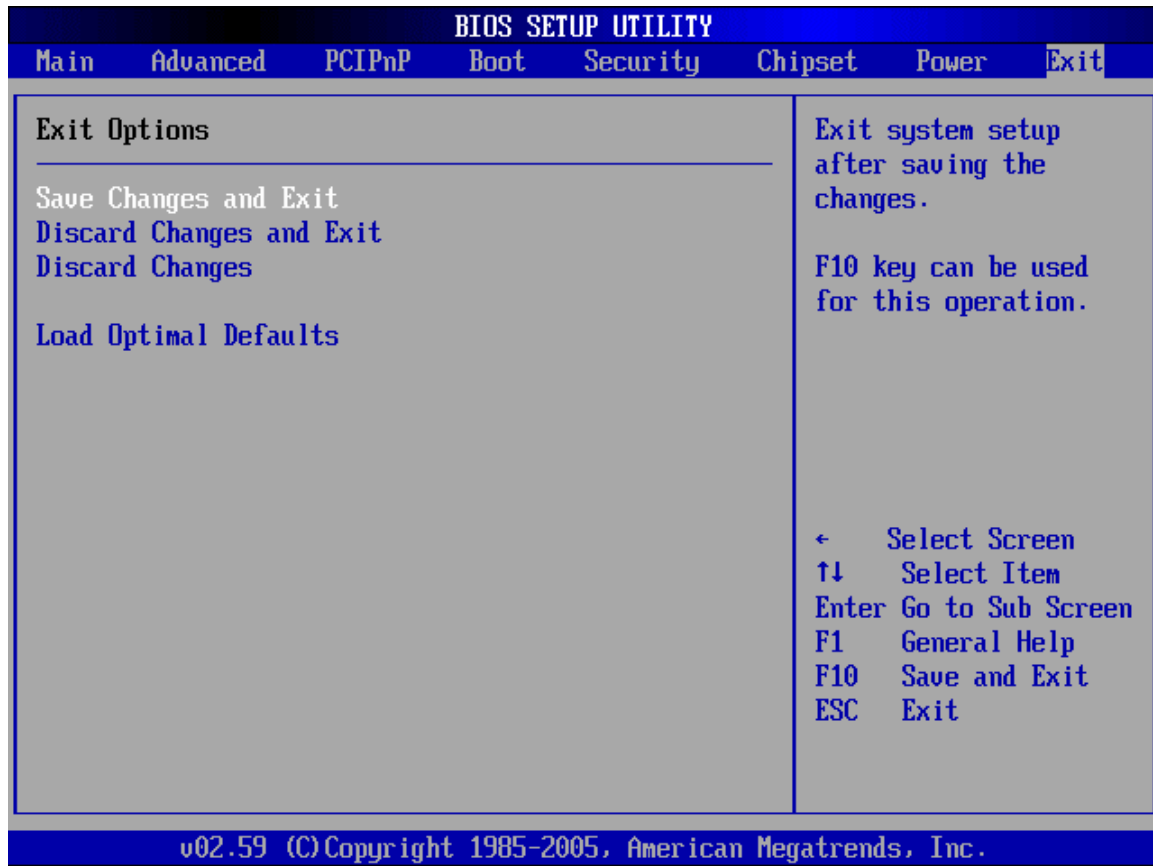
Use the **Resume On RTC Alarm** option to specify the time the system should be roused from a suspended state.

- **Disabled Default** The real time clock (RTC) cannot generate a wake event
- **Enabled** If selected, the following appears with values that can be selected:
 - **RTC Alarm Date (Days)**
 - **System Time**

After setting the alarm, the computer turns itself on from a suspend state when the alarm goes off.

5.9 Exit

Use the **Exit** menu (**BIOS Menu 24**) to load default BIOS values, optimal failsafe values and to save configuration changes.



BIOS Menu 24:Exit

→ Save Changes and Exit

Use the **Save Changes and Exit** option to save the changes made to the BIOS options and to exit the BIOS configuration setup program.

→ Discard Changes and Exit

Use the **Discard Changes and Exit** option to exit the BIOS configuration setup program without saving the changes made to the system.

→ Discard Changes

Use the **Discard Changes** option to discard the changes and remain in the BIOS configuration setup program.

→ Load Optimal Defaults

Use the **Load Optimal Defaults** option to load the optimal default values for each of the parameters on the Setup menus. F9 key can be used for this operation.

Interface Connectors

The IVC-19PC-P flat panel PC motherboard comes with a number of peripheral interface connectors and configuration jumpers listed in **Chapter 2**. The pinouts for these connectors are listed below:

A.1 Floppy Disk Drive Connector

POS-8520 board is equipped with a 34-pin daisy-chain driver connector cable.

PIN	Description	PIN	Description
1	GROUND	2	REDUCE WRITE
3	GROUND	4	N/C
5	GROUND	6	N/C
7	GROUND	8	INDEX#
9	GROUND	10	MOTOR ENABLE A#
11	GROUND	12	DRIVE SELECT B#
13	GROUND	14	DRIVE SELECT A#
15	GROUND	16	MOTOR ENABLE B#
17	GROUND	18	DIRECTION#
19	GROUND	20	STEP#
21	GROUND	22	WRITE DATA#
23	GROUND	24	WRITE GATE#
25	GROUND	26	TRACK 0#
27	GROUND	28	WRITE PROTECT#
29	GROUND	30	READ DATA#
31	GROUND	32	SIDE 1 SELECT#
33	GROUND	34	DISK CHANGE#

A.2 PCI E-IDE Disk Drive Connector

Four IDE (Integrated Device Electronics) hard disk drives can be attached to the POS-8520 IDE controller.

IDE1, IDE2: Primary, Secondary IDE Connector

PIN	Description	PIN	Description
1	RESET#	2	GND
3	DATA 7	4	DATA 8
5	DATA 6	6	DATA 9
7	DATA 5	8	DATA 10
9	DATA 4	10	DATA 11
11	DATA 3	12	DATA 12
13	DATA 2	14	DATA 13
15	DATA 1	16	DATA 14
17	DATA 0	18	DATA 15
19	GND	20	N/C
21	IDE DRQ	22	GND
23	IOW#	24	GND
25	IOR#	26	GND
27	IDE CHRDY	28	GND
29	IDE DACK	30	GND
31	INTERRUPT	32	N/C
33	SA 1	34	N/C
35	SA 0	36	SA 2
37	HDC CS0#	38	HDC CS1#
39	HDD ACTIVE#	40	GND

A.3 Parallel Port

This port is usually connected to printer. The POS-8520 includes one on-board parallel port, accessed through 25-pin D-type female connector LPT1.

LPT1: (LPT1 DB-25 Female) Parallel Port Connector

PIN	Description	PIN	Description
1	STROBE#	2	DATA 0
3	DATA 1	4	DATA 2
5	DATA 3	6	DATA 4
7	DATA 5	8	DATA 6
9	DATA 7	10	ACKNOWLEDGE
11	BUSY	12	PAPER EMPTY
13	PRINTER SELECT	14	AUTO FORM FEED #
15	ERROR#	16	INITIALIZE
17	PRINTER SELECT LN#	18	GND
19	GND	20	GND
21	GND	22	GND
23	GND	24	GND
25	GND		

A.4 Serial Ports

The POS-8520 offers six high speed NS16C550 compatible UARTs with Read/Receive 16 byte FIFO serial port (COM1/COM2/COM3/COM4/COM5/COM6)

COM1: Serial Port 2x5 pin header Connector

PIN	Description	PIN	Description
1	DCD	2	DSR
3	RXD	4	RTS
5	TXD	6	CTX
7	DTR	8	RI
9	GND	10	NC

CN20A: Serial Port DB-9 Male Connector (COM1)

PIN	Description
1	DATA CARRIER DETECT (DCD)
2	RECEIVE DATA (RXD)
3	TRANSMIT DATA (TXD)
4	DATA TERMINAL READY (DTR)
5	GROUND (GND)
6	DATA SET READY (DSR)
7	REQUEST TO SEND (RTS)
8	CLEAR TO SEND (CTS)
9	RING INDICATOR (RI)

COM2: Serial Port 2 x 5 Pin Header Connector

COM2 Support three modes: RS-232, RS-422, and RS-485 (For 2 x 5 pin header connector)

RS-232 Mode

PIN	Description	PIN	Description
1	DCD	2	DSR
3	RXD	4	RTS
5	TXD	6	CTX
7	DTR	8	RI
9	GND	10	NC

RS-422 Mode

PIN	Description	PIN	Description
1	TXD-	2	RX-
3	TXD+	4	RX+
5	NC	6	NC
7	NC	8	Voltage
9	NC	10	NC

RS-485 Mode

PIN	Description	PIN	Description
1	RTX-	6	NC

2	RTX+	7	NC
3	NC	8	NC
4	NC	9	Voltage
5	NC		

COM3: Serial Port 2x5 Pin Header Connector

PIN	Description	PIN	Description
1	DCD	2	DSR
3	RXD	4	RTS
5	TXD	6	CTX
7	DTR	8	RI
9	GND	10	NC

COM4: Serial Port 2x5 Pin Header Connector

PIN	Description	PIN	Description
1	DCD	2	DSR
3	RXD	4	RTS
5	TXD	6	CTX
7	DTR	8	RI
9	GND	10	NC

CN22: Serial Port DB-9 Male Connector (COM4)

PIN	Description
1	DATA CARRIER DETECT (DCD)
2	RECEIVE DATA (RXD)
3	TRANSMIT DATA (TXD)
4	DATA TERMINAL READY (DTR)
5	GROUND (GND)
6	DATA SET READY (DSR)
7	REQUEST TO SEND (RTS)
8	CLEAR TO SEND (CTS)
9	RING INDICATOR (RI)

COM5: Serial Port 2x5 Pin Header Connector

PIN	Description	PIN	Description
1	DCD	2	DSR
3	RXD	4	RTS
5	TXD	6	CTX
7	DTR	8	RI
9	GND	10	NC

COM6: Serial Port 2x5 Pin Header Connector

PIN	Description	PIN	Description
1	DCD	2	DSR
3	RXD	4	RTS
5	TXD	6	CTX
7	DTR	8	RI
9	GND	10	NC

A.5 Keyboard / Mouse Connector

POS-8520 provides one keyboard and one mouse box header connector, as well as external keyboard & Mouse connectors.

CN23A (Purple): Extended Keyboard 6-pin Mini Din Connector

PIN	Description
1	KB DATA
2	NC
3	GND
4	VCC
5	KB CLOCK
6	NC

CN23B (Green): Extended Mouse 6-pin Mini Din Connector

PIN	Description
1	MS DATA
2	NC
3	GND
4	VCC
5	MS CLOCK
6	NC

CN16: 5-pin Header Keyboard Connector

PIN	Description
1	KB CLOCK
2	KB DATA
3	N/C
4	GND
5	+5V

CN15: PS/2 Mouse 5-pin Header Connector

PIN	Description
1	MS CLOCK
2	MS DATA
3	N/C
4	GND
5	+5V

A.6 External Switches and Indicators

CN8: Multi Panel

PIN	Description	PIN	Description
1	SPEAKER	11	POWER-VCC
2	N/C	12	N/C
3	N/C	13	GND
4	+5V	14	KEYLOCK

5	RESET SW	15	GND
6	GND	16	GND
7	IDE LED -	17	N/C
8	IDE LED+	18	ATX POWER CONTROL
9	ATX POWER BUTTON	19	ATX 5VSB
10	GND	20	ATX 5VSB

A.7 USB Port Connector

POS-8520 has eight built-in USB ports for the future I/O bus expansion.

CN26, CN27, CN28: 8-PIN Header USB Connectors

PIN		Description
1	8	VCC
3	6	USB D0-
5	4	USB D0+
7	2	GND

CN25: 2 External USB Connectors

PIN		Description
1	5	VCC
2	6	USB D0-
3	7	USB D0+
4	8	GND

A.8 IrDA Infrared Interface Port

The POS-8520 has a built-in IrDA port which supports Serial Infrared (SIR) or Amplitude Shift Keyed IR (ASKIR) interface. To use the IrDA port, configure the FIR or ASKIR model in the Peripheral Setup COM2 in BIOS. Then the normal RS-232 COM2 will be disabled.

IR1: IrDA Connector

PIN	Description
1	+5V
2	NC
3	IR-RX
4	GND
5	IR-TX
6	+5V

A.9 VGA Connector

The POS-8520 provides one DB-15 female connector and one built-in 10-pin VGA box header connector that can be connected directly to a monochrome CRT monitor as well as high resolution color CRT monitor.

VGA1: DB-15 Female VGA Connector

PIN	Description	PIN	Description
1	RED	2	GREEN
3	BLUE	4	N/C
5	GND	6	GND
7	GND	8	GND
9	VCC	10	GND
11	N/C	12	DDC DAT
13	HSYNC	14	VSYNC
15	DDC CLK		

CN14: 10-pin Header VGA Connector

PIN	Description	PIN	Description
1	RED	2	SMCLK
3	GREEN	4	SMDATA
5	BLUE	6	GND
7	H-SYNC	8	GND
9	V-SYNC	10	GND

A.10 LAN RJ45 Connector

The POS-8520 is equipped with two Gigabit Ethernet Controller RTL8110SC chipsets and two GbE LAN RJ-45 connectors.

CN31: Dual LAN RJ45 Connector

PIN	Description	PIN	Description
1	TX+ (or MDX0+)	5	N/C (or MDX2-)
2	TX- (or MDX0-)	6	RX- (or MDX1-)
3	RX+ (or MDX1+)	7	N/C (or MDX3+)
4	N/C (or MDX2+)	8	N/C (or MDX3-)
13	MDX0+	17	MDX2-
14	MDX0-	18	MDX1-
15	MDX1+	19	MDX3+
16	MDX2+	20	MDX3-

A.11 Fan Connector

The POS-8520 provides three CPU cooling and system Fan connectors. The CPU cooling fan has a linear fan speed controlled by the BIOS. These connectors can supply 12V/500mA to the cooling fans.

FAN1: CPU Fan Connector

PIN	Description
1	GND
2	Linear control
3	Fan Sensor

FAN2: System Fan Connector

PIN	Description
1	GND
2	+12V
3	Fan Sensor

FAN3: System Fan Connector

PIN	Description
1	GND
2	+12V
3	Fan Sensor

A.12 Inverter (LCD Backlight) Connector

CN12: Inverter (LCD Backlight) Connector

PIN	Description	PIN	Description
1	NC	2	GND
3	+12V	4	GND
5	ENABKL		

A.13 LCD Panel LVDS Interface Connector

The POS-8520 provides up to 48-bit color TFT LCD.

CN30: DF13-30DP-1.25 LVDS Interface Connector

PIN	Description	PIN	Description
1	GND	2	GND
3	A0P	4	A0M
5	A1P	6	A1M
7	A2P	8	A2M
9	CLK1P	10	CLK1M
11	A3P	12	A3M
13	GND	14	GND
15	A4P	16	A4M
17	A5P	18	A5M
19	A6P	20	A6M
21	CLK2P	22	CLK2M
23	A7P	24	A7M
25	GND	26	GND
27	LCD_VDD	28	LCD_VDD
29	LCD_VDD	30	LCD_VDD

A.14 Audio Connectors

CN7: Audio CD IN (2.54mm)

PIN	Description	PIN	Description
1	CD IN_L	2	GND
3	GND	4	CD IN_R

CN2: Audio LINE OUT (2.54mm)

PIN	Description	PIN	Description
1	LINEOUT_L	2	GND
3	GND	4	LINE OUT_R

CN24: Audio Jack

Color	Description
RED	MIC IN
BLUE	LINE IN
GREEN	SPEAK OUT

A.15 Digital Input / Output

CN6: Digital Input / Output

PIN	Description	PIN	Description
1	GND	2	+5V
3	Output 3	4	Output 2
5	Output 1	6	Output 0
7	Input 3	8	Input 2
9	Input 1	10	Input 0

A.16 Compact Flash TYPE II Storage Card Socket

The POS-8520 configures Compact Flash TYPE II Storage Card in IDE Mode.

CF1: Compact Flash TYPE II Socket PIN Assignment

PIN	Description	PIN	Description
1	GROUND	26	CARD DETECT1
2	D3	27	D11
3	D4	28	D12
4	D5	29	D13
5	D6	30	D14
6	D7	31	D15
7	CS1#	32	CS3#
8	N/C	33	N/C
9	GROUND	34	IOR#
10	N/C	35	IOW#
11	N/C	36	OBLIGATORY TO PULL HIGH
12	N/C	37	IRQ15
13	VCC	38	VCC
14	N/C	39	MASTER/SLAVE
15	N/C	40	N/C
16	N/C	41	RESET#
17	N/C	42	IORDY
18	A2	43	N/C
19	A1	44	OBLIGATORY TO PULL HIGH
20	A0	45	ACTIVE#
21	D0	46	PDIAG#
22	D1	47	D8
23	D2	48	D9
24	N/C	49	D10
25	CARD DETECT2	50	GROUND

A.17 ATX Power Connector

PW2 is a 20-pin ATX Power Supply Connector with the following pin assignments.

PW2: ATX Power Supply Connector

PIN	Description	PIN	Description
11	3.3V	1	3.3V
12	-12V	2	3.3V
13	GND	3	GND
14	PS-ON	4	+5V
15	GND	5	GND
16	GND	6	+5V
17	GND	7	GND
18	-5V	8	Power good
19	+5V	9	5VSB
20	+5V	10	+12V

A.18 ATX 12V Power Connector

This connector supports the ATX power. Functions such as modem Ring on, and wake-up LAN and soft power off are supported.

PW1: ATX-12V Power Connector

PIN	Description	PIN	Description
1	GND	2	GND
3	+12V	4	+12V



NOTE:

The power from PW1 should support at least 6.5A current for the use of P4 CPU. If the power is not enough, the operation of CPU could be abnormal. Be sure the power from power supply is enough, and don't share this power with other devices, such as hard disk etc. Use IVC Displays special cable for connection if the power supply doesn't have suitable cable.

A.19 Internal Switches and Indicators

S2: Reset Switch

PIN	Description	PIN	Description
1	Reset	2	GND

A.20 Serial ATA Connector

The POS-8520 provides two Serial ATA (SATA) ports.

SATA1, SATA2: Serial ATA Connector

PIN	Description	PIN	Description
1	S_TXP	3	S_RXN
2	S_TXN	4	S_RXP