

NP-700WX

IVC Displays 7" TFT WVGA Flat Panel Industrial Touch Screen Computer

The NP-700WX industrial Windows CE touch screen open HMI offers both the reliability of a traditional HMI and the Flexibility of a PC. With an open HMI, the user is able to run either their or third party software. Furthermore, the NP-700WX is designed for use as a thin client device in a remote terminal environment. The NP-700WX is powered by an open Windows CE .NET 5.0 OS with rich application development support and connectivity to network and I/O devices.

Specifications

System

- XScale® PXA270 520MHz processor
- 2 MB boot flash
- 128 MB SDRAM
- MB Compact Flash
- (38MB reserved for Windows® CE 5.0, 90MB for user data and programs)
- Battery-backup RTC
- Watch Dog Timer
- Reset button

Display

- Type: Color Active Matrix TFT
- Size: 7"
- Resolution: 800 x 480, 64K color graphics
- Brightness: 220 cd/m²
- Input: 4-wire resistive touch panel

I/O and Communication

- Ethernet: 1x 10/100 Mbps
- Serial Port: 4 x RS-232/422/485 (RJ45) , 1 x RS-232
- 2 x USB Host 2.0
- Audio: x Line-out

Power

- Power Supply: Support 12-DC-IN
- Power Consumption: 15W
- Power Adapter (Optional) : 24V, 25W AC-DC power adapter

Environment

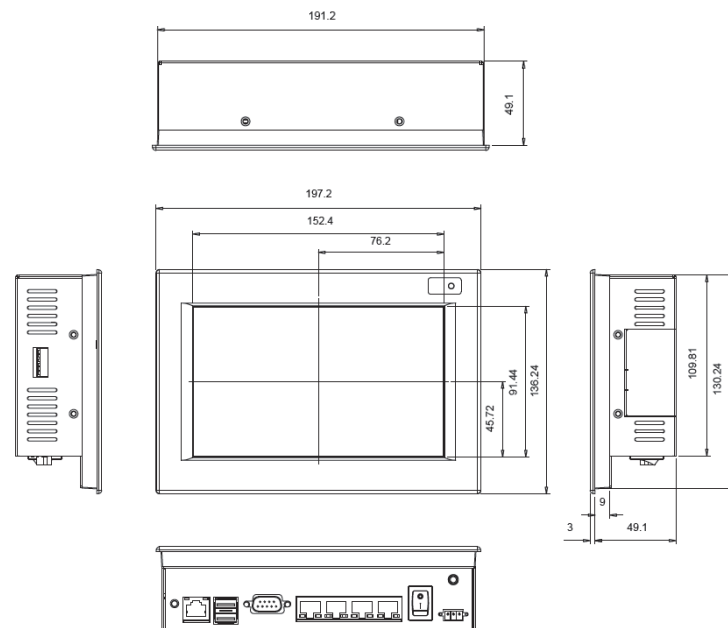
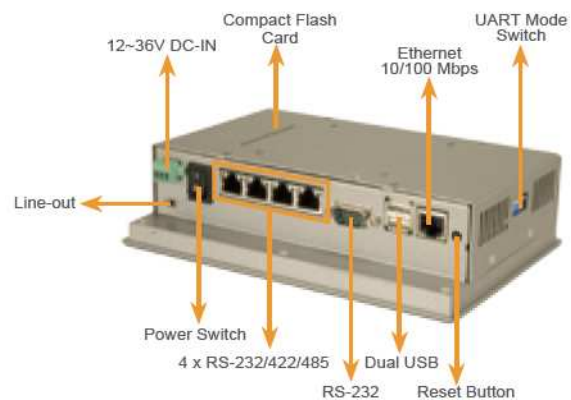
- Operation Temperature: 0°C-50°C
- Humidity: 5%RH to 95%RH (non-condensing)
- Vibration: 5Hz~7Hz, 0.1" double amplitude displacement;
- 17Hz~640Hz, 1.5G acceleration peak to peak.
- Shock: 10G acceleration peak to peak
- IP 65 compliant front panel

Color

- Aluminum front, Silver color

Packing List

- | | |
|--|----------------------|
| 1 x IVC-700WX | 1 x Null modem cable |
| 1 x Utility CD including SDK, utilities, and technical documents | 1 x Touch pen |
| 1 x RJ45 to RS-232 cable | 1 x Screw kit |



ORDERING INFORMATION

NP-700WX - IVC 7" WVGA Industrial Touch Screen Computer \$795.00
OEM Models Available

IVC Displays, Inc.
www.ivcdisplay.com



P.O. Box 481
Saline, MI 48176
Fax: 734-429-2618