

# NP-9XXi Industrial Computer

## 12.1", 15", 17", 19", 21.5"

### Windows 10 IoT



NP-9XXi features a fan less design with the Intel 6th Gen Core i3 CPU Built-in/ i5 option.

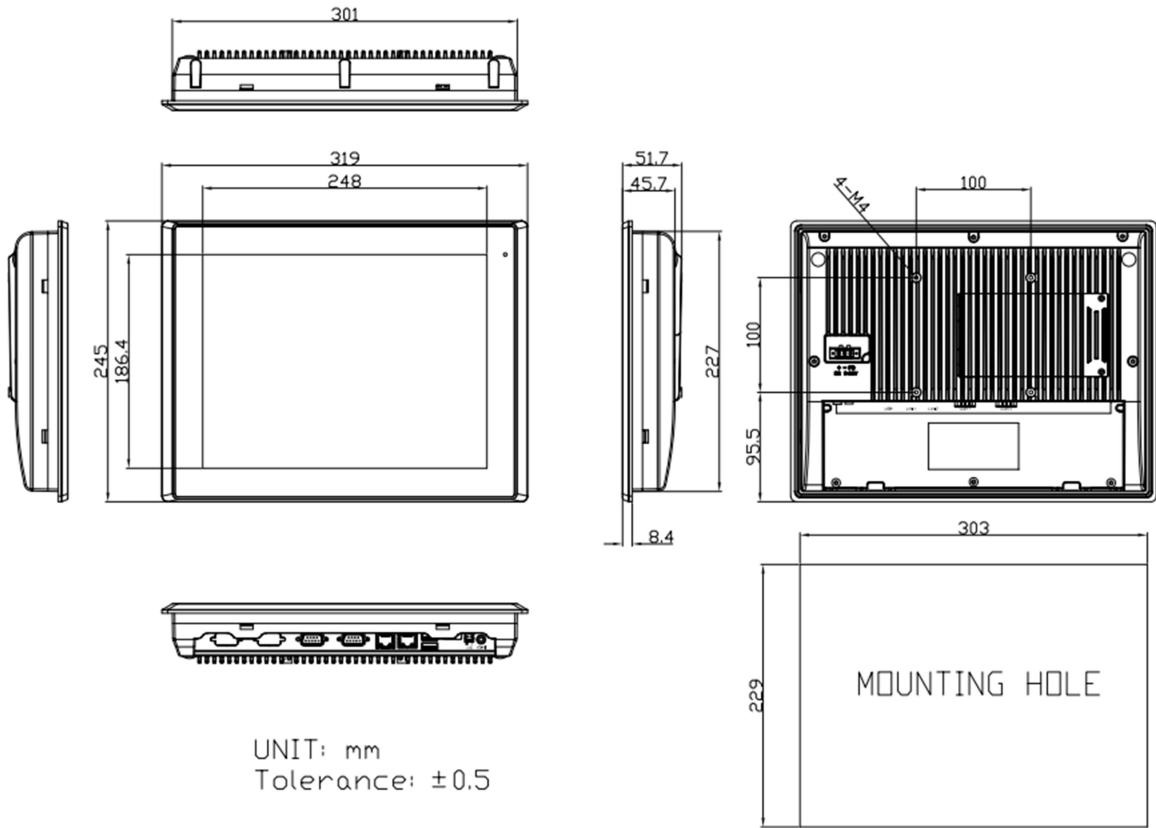
The NP-9XXi is designed to provide a cost-effective and versatile solution for a wide variety of industrial and commercial applications. Meet the requirements of your application with Windows 10 IOT Operating System.

### Specifications:

	NP-912i	NP-915i	NP-917i	NP-919i	NP-921i
<b>Display</b>					
<b>Display Type</b>	12.1" TFT / LCD	15" TFT / LDC	17" TFT / CD	19" TFT / LCD	21.5" TFT / LCD
<b>Resolution</b>	800 x 600	1024 x 768	1280 x 1024	1280 x 1024	1,920 x 1,080
<b>Max. Color</b>	16.2m	16.7m	16.2m	16.7m	16.7m
<b>Luminance (cd/m<sup>2</sup>)</b>	450	450	350	350	250
<b>Viewing Angle (Degree)</b>	160/140	160/140	170/160	170/165	178/178
<b>System</b>					
<b>CPU</b>	Intel 6th Gen Core i3 CPU Built-in/ i5 option				
<b>System Chipset</b>	SoC				
<b>System Memory</b>	Onboard 4GB DDR3L 1600MHz/ 16GB(option)				
<b>External I/O Port</b>	2 x USB 3.0 type A				
	1 x DB-9 RS-232/422/485, COM1 (Default RS-232)				
	1 x RS-232 DB-9, COM2				
	1 x Line out phone jack				
	2 x GbE RJ-45				
<b>Storage</b>	3 pins terminal block connector, DC Power input				
	1 x 2.5" SATA HDD bay for SATA HDD (Easy Accessible)				
	1 x Internal SD slot (Up to 32GB)				

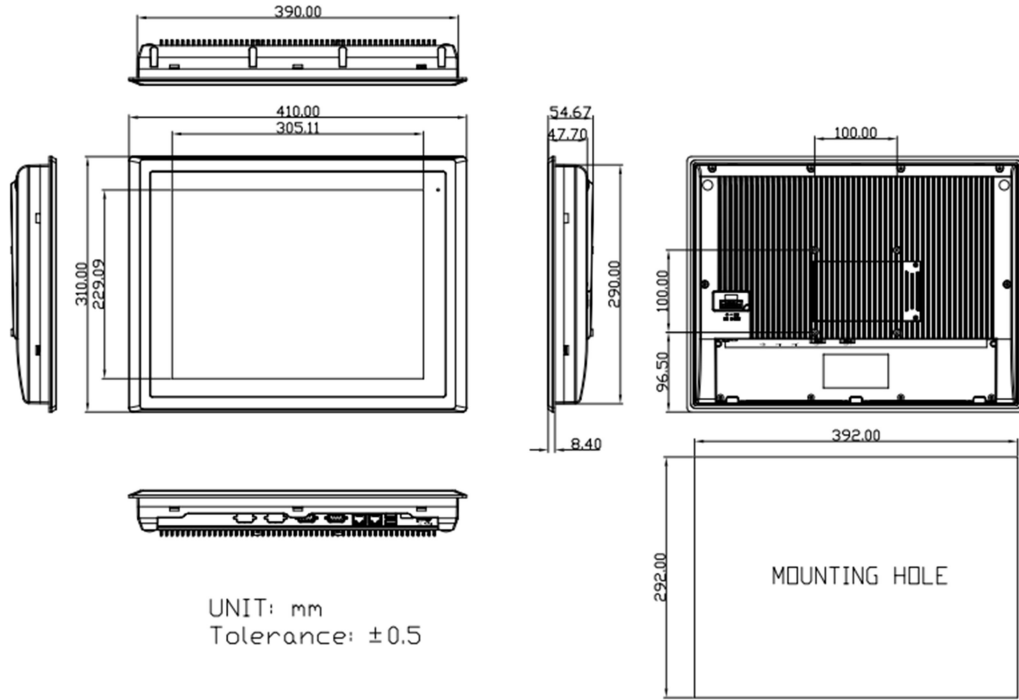
<b>Expansion Slots</b>	1 x Internal Mini-PCIe slot full size bus				
<b>OS Support</b>	Windows 10 IOT				
<b>Touch screen</b>	<b>NP-912i</b>	<b>NP-915i</b>	<b>NP-917i</b>	<b>NP-919i</b>	<b>NP-921i</b>
<b>Type</b>	Resistive or Projected Capacitive Touch Screen Options				
<b>Light Transmission</b>	80% (for Resistive model) / 90% (for Projected Capacitive model)				
<b>Backlight Lifetime</b>	50,000 Hours	60,000 Hours	30,000 Hours	50,000 Hours	30,000 Hours
<b>Power Supply</b>	Included				
<b>Power Input</b>	9~36V DC				
<b>Consumption</b>	Max:36W	Max:35W	Max:44W	Max:44W	Max:61W
<b>Mechanical</b>					
<b>Construction</b>	Sliver aluminum front bezel and chassis				
<b>IP Rating</b>	IP66 Front Panel				
<b>Mounting</b>	Panel mounting, VESA 100 x 100				
<b>Dimensions (WxHxD)(mm)</b>	319 x 245 x 51.7	410 x 310 x 54.7	439 x 348 x 64.8	468 x 380 x 64.8	557 x 362 x 64.8
<b>Net Weight</b>	2.7 Kg 5.95 Lbs	4.4 Kg 9.7 Lbs	5.1 Kg 11.24 Lbs	5.9 Kg 13 Lbs	7.5 Kg 16.53 Lbs
<b>Environmental</b>					
<b>Operating Temperature</b>	0~50C				
<b>Storage Temperature</b>	-20~60C				
<b>Relative Humidity</b>	10 to 90% @ 40°C, non- condensing				
<b>Certificate</b>	CE/FCC class A				

# NP-912i

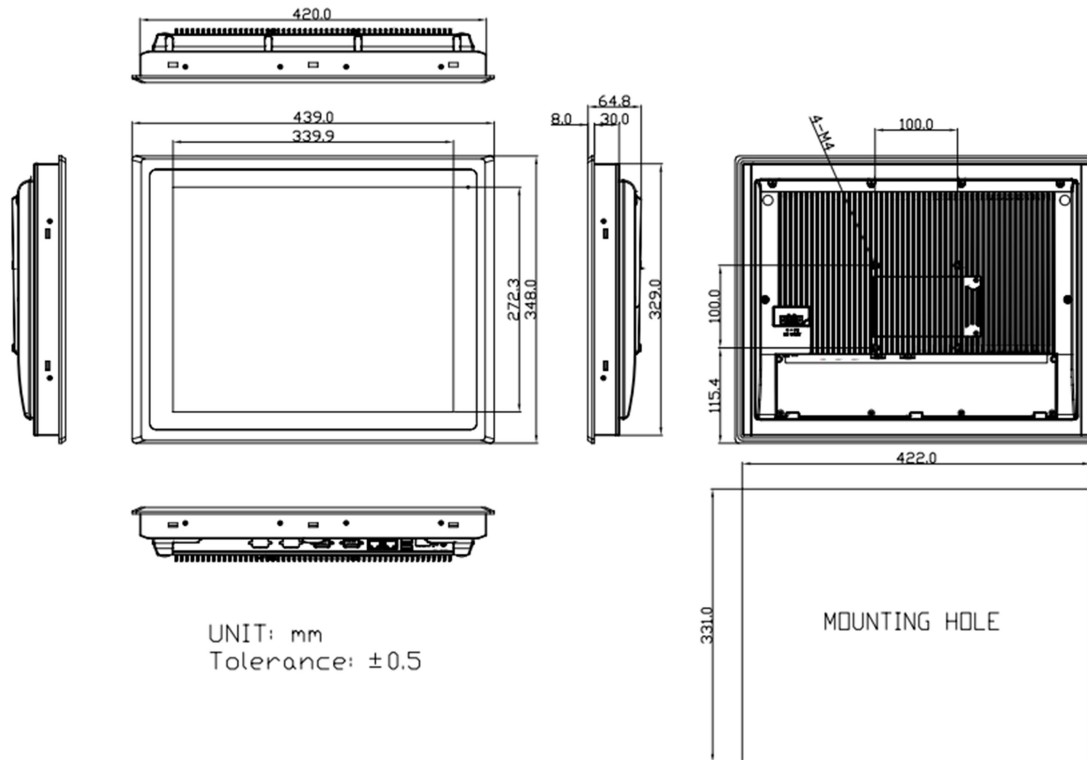


UNIT: mm  
Tolerance: ±0.5

# NP-915i



# NP-917i



# NP-921i

