

NP-6XXC Industrial Computer

7, 8,10.1, 12, 15, 17, 18, 19, 21 Windows 7/8/10



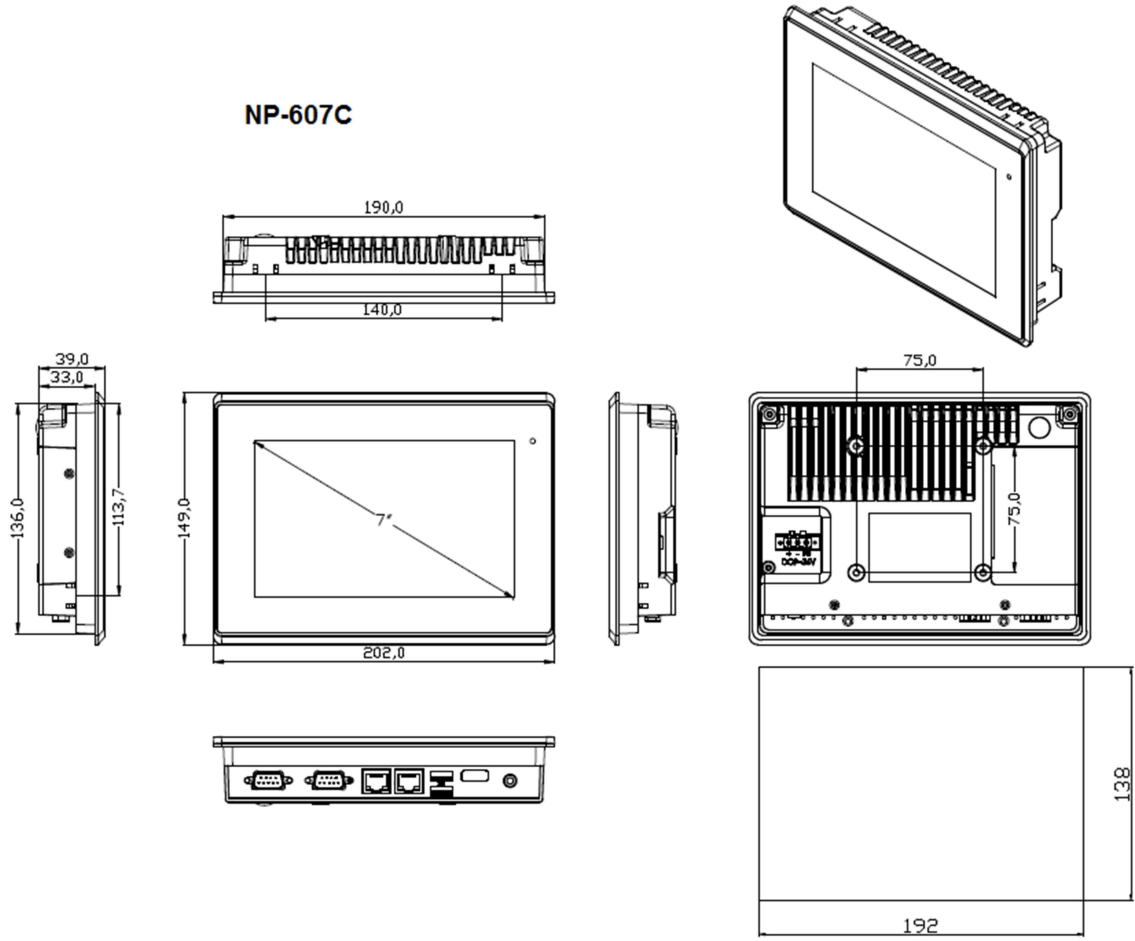
NP-6XXC features a fan less design with the Intel Quad-Core Celeron N2930 (1.83GHz) CPU. The NP-6XXC is designed to provide a cost-effective and versatile solution for a wide variety of industrial and commercial applications. Meet the requirements of your application with optional Windows 7/8/10 Operating System.

NP-607C	NP-608C	NP-610C	NP-612C	NP-615C	NP-617C	NP-619C	NP-621C
7" TFT / LCD	8" TFT / LCD	10" TFT / LCD	12.1" TFT / LCD	15" TFT / LDC	17" TFT / CD	19" TFT / LCD	21.5" TFT / LCD
800 x 480	800 x 600	1260 x 800	800 x 600	1024 x 768	1280 x 1024	1280 x 1024	1,920 x 1,080
262K	16.2m	16.2m	16.2m	16.7m	16.2m	16.7m	16.7m
350	350	350	450	450	350	350	250
140/110	140/125	160/160	160/140	160/140	170/160	170/165	178/178
Intel Celeron N2930(1.83GHz) Processor							
SoC							
4GB DDR3L 1333 MHz/8GB Max							
2 x USB 3.0 type A							
1 x RS-232 DB-9(COM2)							
1 x DB-9 RS-232/422/485(Default RS-232)							
1 x Line out phone jack							
2 x GbE RJ-45							
3 pins terminal block connector, DC Power input							
1 x SATA MO-297 SSD bay							
1 x Internal SD slot (Up to 32GB)							
1 x Internal Mini-PCIe slot full size bus							

Windows Embedded Compact 7, Windows Embedded Standard 7, Windows 7 Pro, , Windows 10 Pro

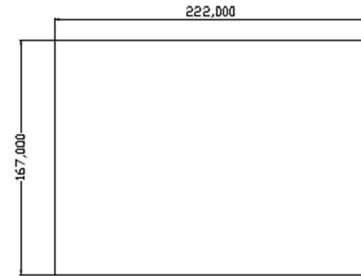
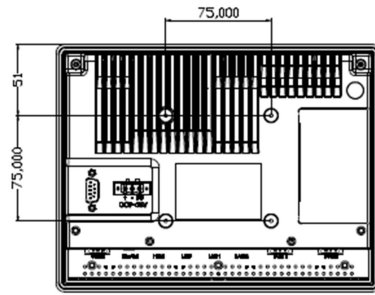
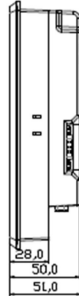
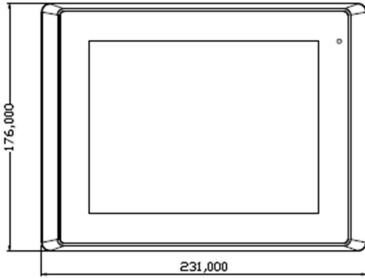
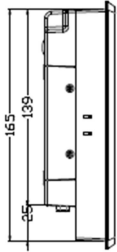
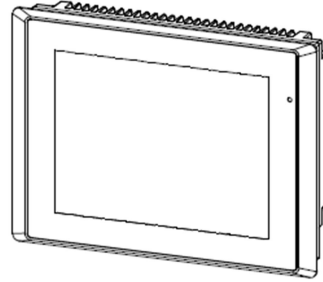
NP-607C	NP-608C	NP-610C	NP-612C	NP-615C	NP-617C	NP-619C	NP-621C
Resistive or Projected Capacitive Touch Screen Options							
80% (for Resistive model) / 90% (for Projected Capacitive model)							
40000 Hours	40000 Hours	40000 Hours	50,000 Hours	60,000 Hours	30,000 Hours	50,000 Hours	30,000 Hours
Included							
9~36V DC							
Max:28W	Max:28W	Max:28W	Max:39W	Max:35W	Max:44W	Max:44W	Max:61W
Sliver aluminum front bezel and chassis							
IP66 Front Panel							
Panel mounting, VESA 75 x 75		Panel mounting, VESA 100 x 100					
202 x 149 x 40	231.1 x 176.1 x 50	285 x 189 x 48.9	319 x 245 x 51.7	410 x 310 x 54.7	439 x 348 x 64.8	468 x 380 x 64.8	557 x 362 x 64.8
1.2 Kg 2.65 Lbs	1.9 Kg 4.19 Lbs	1.9 Kg 4.19 Lbs	2.7 Kg 5.95 Lbs	4.4 Kg 9.7 Lbs	5.1 Kg 11.24 Lbs	5.9 Kg 13 Lbs	7.5 Kg 16.53 Lbs
0~50C							
-20~60C							
10 to 90% @ 40°C, non- condensing							
CE.FCC class A							

NP-607C



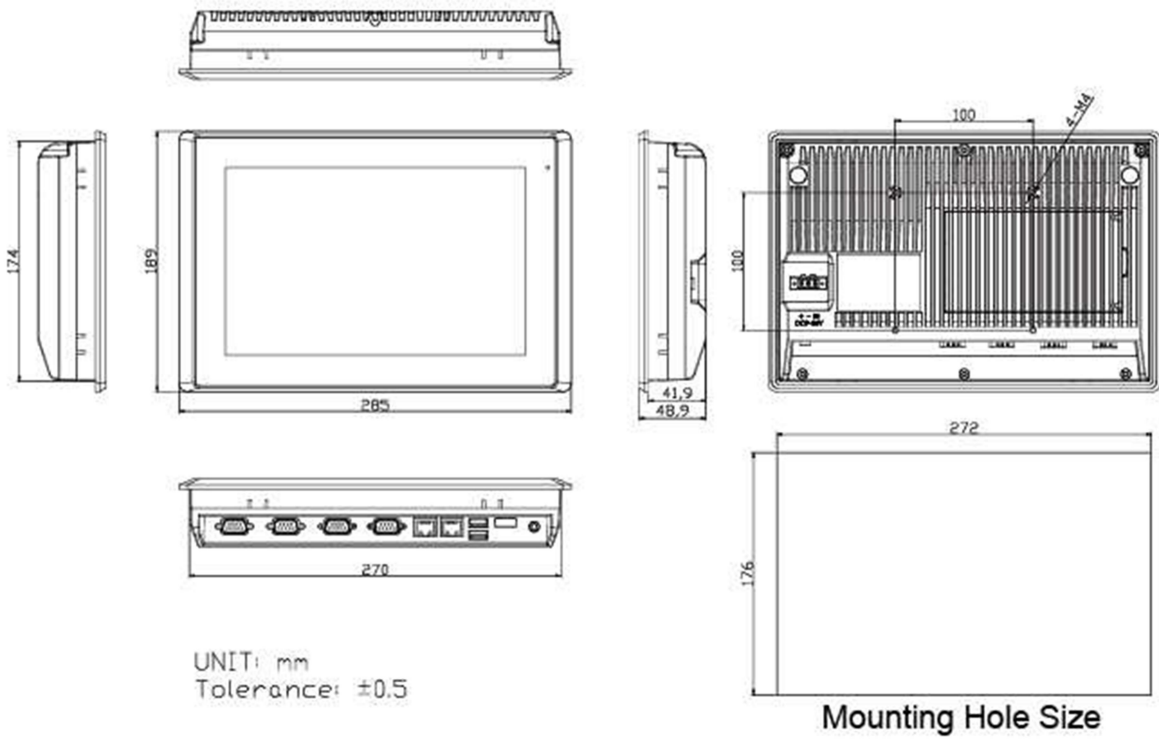
Mounting Hole Size

NP-608C

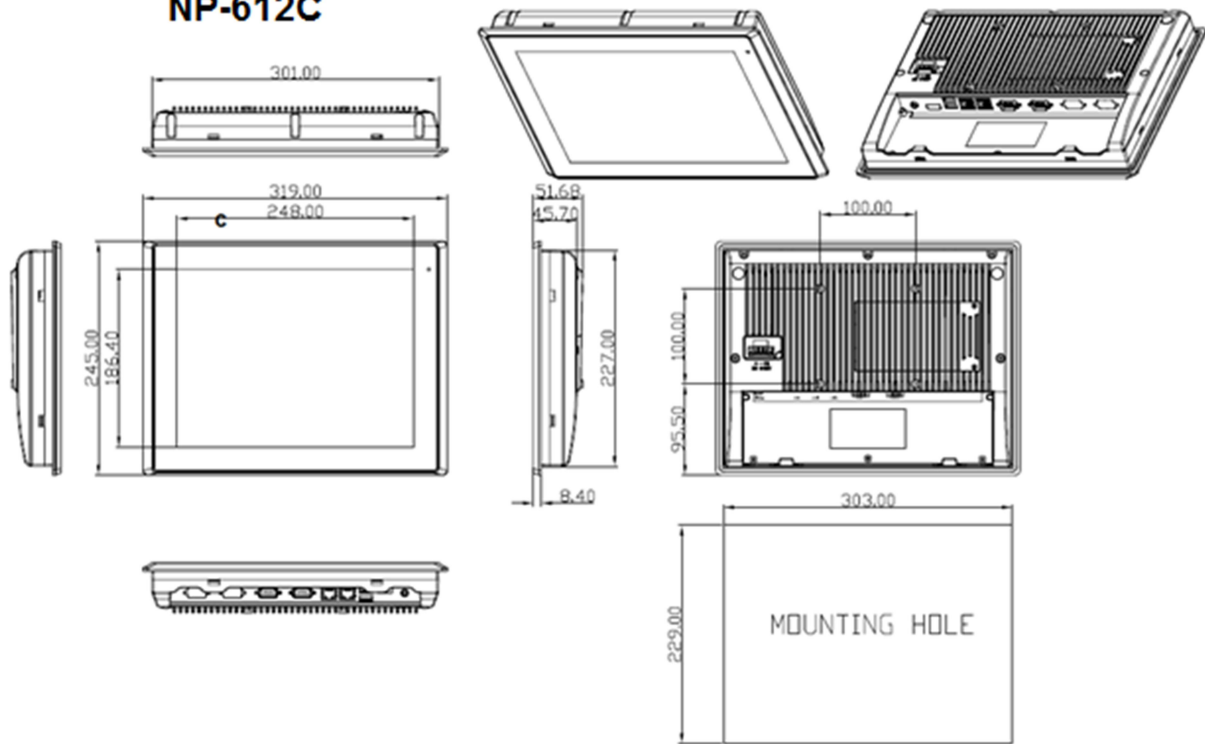


Mounting Hole Size

NP-610C



NP-612C



NP-615C

